


73220300	DATA SHEET	
valid from: 01.01.2019	UNITRONIC® SPIRAL LiF2Y11Y	

Application

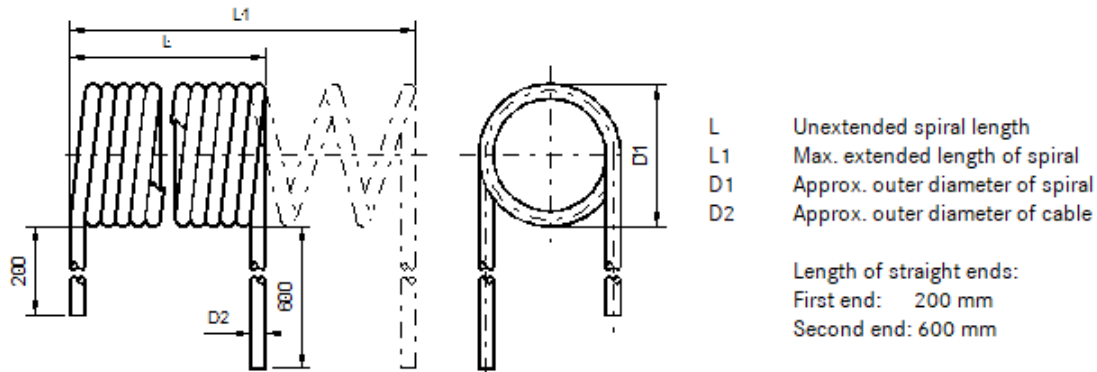
UNITRONIC® SPIRAL LiF2Y11Y cables are used wherever cables with smallest dimensions are required, e.g. in measuring and controlling engineering.

High flexibility affords extended lengths of up to 4 times the unextended spiral length.

UNITRONIC® FD P plus is a flexible data cable for weak-current applications. The cut resistant polyurethane outer sheath is largely resistant to the action of acids, caustic solutions and certain oils, and to abrasion.

UNITRONIC® FD P plus is intended for use in dry and damp interiors.

Dimensions of spiral cable



Design

Design	based on VDE 0812
Conductor	extra fine wire strands of bare copper acc. to IEC 60228 resp. VDE 0295, class 6
Insulation	special Polyolefin-based compound
Core identification code	according to DIN 47100
Outer sheath	special PUR-based compound, halogen free color: grey, similar to RAL 7001

Electrical properties at 20°C

Rated voltage	Peak operating voltage
	0.14 mm ² : 350 V (not for power applications) 0.25 mm ² : 500 V (not for power applications)
Test voltage	C/C: 1500 V

Mechanical and thermal properties

Temperature range	flexible use: -5°C up to +50°C
General requirements	These cables are conform to the RoHS Directive 2011/65/EU

Creator: ROKR / PDC	Document: DB73220300EN	Page 1 of 1
Released: ALTE / PDC	Version: 02	