

53607225	DATA SHEET	
Valid from: 03.07.2018	SKINTOP® DIX	

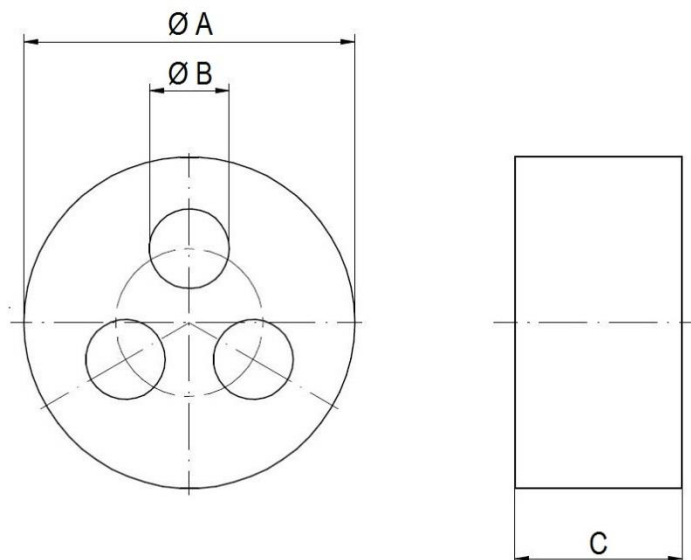
The SKINTOP® DIX silicon multiple seal insert with several holes makes possible to pass several leads through a gland at the same time. Consequently components can be dimensioned smaller.



Technical features:

Material	Silicon
Sizes	PG7 up to PG29
Colour	Transparent
Temperature range	-50 °C up to +180 °C
Protection class	IP54 acc. to EN 60529
	IP68 can be achieved if all the holes are optimally occupied (5 bar, test acc. to EN 60529)

Norm references:



Creator: T. Dvoulety /PDP Released: DAMU1/PDP	Document: DB53607225EN Version: 04	Page 1 of 2
--	---------------------------------------	-------------

53607225	DATA SHEET	
Valid from: 03.07.2018	SKINTOP® DIX	

Size	Ø A [mm]	Ø B [mm]	Number of holes	C [mm]	Article No.
PG 7	8,6	2,5	2	6,5	53607225
PG 7	8,6	1,7	4	6,5	53607417
PG 9	10,8	3	2	7,5	53609230
PG 11	13,5	2,5	2	8,5	53611225
PG 11	13,5	3	3	8,5	53611330
PG 11	13,5	4	2	8,5	53611240
PG 11	13,5	3	4	8,5	53611430
PG 13,5	15,5	5	2	8,5	53613250
PG 13,5	15,5	4	3	8,5	53613340
PG 13,5	15,5	4	4	8,5	53613440
PG 16	17,5	4	1	9,5	53616140
PG 16	17,5	2,5	2	9,5	53616225
PG 16	17,5	4	2	9,5	53616240
PG 16	17,5	4	3	9,5	53616340
PG 16	17,5	5	3	9,5	53616350
PG 16	17,5	4	4	9,5	53616440
PG 16	17,5	4	5	9,5	53616540
PG 16	17,5	5	4	9,5	53616450
PG 16	17,5	5,6	3	9,5	53616356
PG 16	17,5	6	2	9,5	53616260
PG 16	17,5	6	3	9,5	53616360
PG 21	22,5	5	5	11,5	53621550
PG 21	22,5	6	4	11,5	53621460
PG 21	22,5	4	6	11,5	53621640
PG 21	22,5	7	2	11,5	53621270
PG 21	22,5	7	3	11,5	53621370
PG 21	22,5	8	2	11,5	53621280
PG 21	22,5	8	3	11,5	53621380
PG 29	30,5	5,6	5	13,5	53629556
PG 29	30,5	7	4	13,5	53629470
PG 29	30,5	7	5	13,5	53629570
PG 29	30,5	8	4	13,5	53629480
PG 29	30,5	9	2	13,5	53629290
PG 29	30,5	9	3	13,5	53629390
PG 29	30,5	9	4	13,5	53629490
PG 29	30,5	7,5	6	13,5	53629675

For more information please see our current catalogue. Please do not hesitate to contact our laboratory if there are any questions regarding resistance against aggressive agents and special oil.

Creator: T. Dvoulety /PDP Released: DAMU1/PDP	Document: DB53607225EN Version: 04	Page 2 of 2
--	---------------------------------------	-------------