

| | | |
|---------------------------|------------------------------|---|
| 53111000 | DATA SHEET |  |
| Valid from: 20.06.2023 | SKINTOP® ST-M / STR-M | |

The polyamide based SKINTOP® ST-M / STR-M is designed for universal use, above all for functional safety in manufacturing of machines and equipment, in measurement and control technology and automation technology, as well as in the electronic technology and in manufacturing of robots.



Components:

| | |
|----------------------------|-------------------------------|
| Gland body | Polyamide, V-2 acc. to UL 94 |
| Cap nut | Polyamide, V-2 acc. to UL 94 |
| Sealing ring | CR (ozone- and UV-resistant) |
| O-Ring (M40x1.5 - M63x1,5) | NBR (ozone- and UV-resistant) |

Technical features:

| | |
|--|--|
| Connecting thread | M12x1.5 up to M63x1.5 acc. to EN 60423 |
| Functional thread | Multi-start trapezoidal thread |
| Protection class IP / NEMA Enclosure types | IP66, IP68 (5 bar/30 min), IP69 acc. to EN 60529 Liquid tight and cord grip acc. to UL514B, CSA C22.2 No.18.3-12 Type 1 and Type 12 acc. to UL 50 E, CSA C22.2 No. 94.2-15 |
| Strain relief: | Kat. A acc. to DIN EN 62444 |
| Temperature range: | Dynamic -20 °C up to +100 °C Statically -40 °C up to +100 °C |
| Glow wire test | 650°C acc. to DIN EN 62444 |
| Design | ST-M standard STR-M with reducing sealing ring (for smaller cable diameters) |
| Colour | RAL 7001 silver-grey RAL 7035 light-grey RAL 9005 black, UV-resistant |

Other characteristics:

Permanent vibration protection
Optimal strain relief
Large variable clamping ranges
M40 - M63 with O-ring

Approvals:




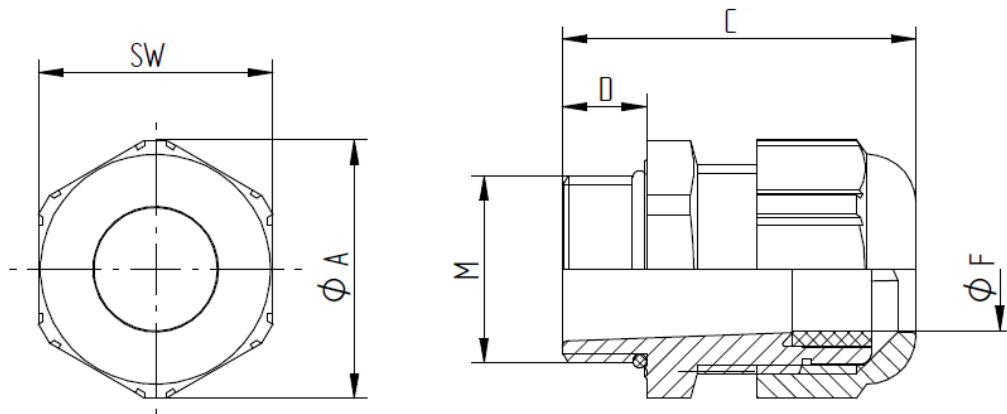
File Nr. 79903 (Test in acc. to UL514B)

Norm references:



| | | |
|--|---------------------------------------|-------------|
| Creator: MAAU1 /PDP Released: DAMU1/PDP | Document: DB53111000EN Version: 17 | Page 1 of 2 |
|--|---------------------------------------|-------------|

| | | |
|---------------------------|------------------------------|---|
| 53111000 | DATA SHEET |  |
| Valid from: 20.06.2023 | SKINTOP® ST-M / STR-M | |



SKINTOP® ST-M

| M | SW [mm] | Ø A [mm] | C [mm] | | D [mm] | Ø F [mm] Clamping range | O-Ring [mm] | Article No. | | |
|---------|---------|----------|--------|------|--------|----------------------------|-------------|-------------|----------|----------|
| | | | min. | max. | | | | RAL 7001 | RAL 7035 | RAL 9005 |
| M12x1,5 | 15 | 16,6 | 26,5 | 30 | 8 | 3,5 - 7 | - | 53111000 | 53111400 | 53111200 |
| M16x1,5 | 19 | 21,1 | 29 | 34 | 8 | 4 - 10 | - | 53111010 | 53111410 | 53111210 |
| M20x1,5 | 25 | 27,6 | 34 | 37 | 9 | 6 - 13 | - | 53111020 | 53111420 | 53111220 |
| M25x1,5 | 30 | 33,6 | 35 | 40 | 10 | 8 - 17 | - | 53111030 | 53111430 | 53111230 |
| M32x1,5 | 36 | 40,3 | 39 | 47 | 10 | 9 - 21 | - | 53111040 | 53111440 | 53111240 |
| M40x1,5 | 46 | 51,6 | 43 | 52 | 10 | 16 - 28 | 36 x 2 | 53111050 | 53111450 | 53111250 |
| M50x1,5 | 55 | 61,6 | 54 | 62 | 12 | 27 - 34 | 46 x 2 | 53111060 | 53111460 | 53111260 |
| M63x1,5 | 66 | 73,9 | 59 | 71 | 12 | 34 - 45 | 57 x 2 | 53111070 | 53111470 | 53111270 |

SKINTOP® STR-M

| M | SW [mm] | Ø A [mm] | C [mm] | | D [mm] | Ø F [mm] Clamping range | O-Ring [mm] | Article No. | | |
|---------|---------|----------|--------|------|--------|----------------------------|-------------|-------------|----------|----------|
| | | | min. | max. | | | | RAL 7001 | RAL 7035 | RAL 9005 |
| M12x1,5 | 15 | 16,6 | 26,5 | 30 | 8 | 2 - 5 | - | 53111100 | 53111500 | 53111300 |
| M16x1,5 | 19 | 21,1 | 29 | 34 | 8 | 3,5 - 7 | - | 53111110 | 53111510 | 53111310 |
| M20x1,5 | 25 | 27,6 | 34 | 37 | 9 | 4 - 10 | - | 53111120 | 53111520 | 53111320 |
| M25x1,5 | 30 | 33,6 | 35 | 40 | 10 | 5 - 13 | - | 53111130 | 53111530 | 53111330 |
| M32x1,5 | 36 | 40,3 | 39 | 47 | 10 | 6 - 15 | - | 53111140 | 53111540 | 53111340 |
| M40x1,5 | 46 | 51,6 | 43 | 52 | 10 | 9 - 23 | 36 x 2 | 53111150 | 53111550 | 53111350 |
| M50x1,5 | 55 | 61,6 | 54 | 62 | 12 | 24 - 29 | 46 x 2 | 53111160 | 53111560 | 53111360 |
| M63x1,5 | 66 | 73,9 | 59 | 71 | 12 | 28 - 39 | 57 x 2 | 53111170 | 53111570 | 53111370 |

For more information, please see our current catalogue. Please do not hesitate to contact our laboratory if there are any questions regarding resistance against aggressive agents and special oil.

| | | |
|---|---------------------------------------|-------------|
| Creator: MAU1 /PDP Released: DAMU1/PDP | Document: DB53111000EN Version: 17 | Page 2 of 2 |
|---|---------------------------------------|-------------|