

52003070	DATA SHEET	
Valid from: 03.07.2018	SILVYN[®] SSV	

The SILVYN[®] SSV is a conduit clamp gland from nickel plated brass.
Special design of snap-in noses on the hose nipple ensures easy assembling and optimal strain relief of the conduit gland.
The SILVYN[®] SSV can be combined with the hose clip SILVYN[®] SCH for additional strength.



Components:

Conduit gland body	Brass, nickel-plated
O-Ring	NBR

Technische Merkmale:

Connecting thread	PG9 up to PG48 acc. to DIN 40430
Protection class	IP54 up to IP68 acc. to EN 60529
Temperature range	-20 °C up to +80 °C

Suitable protective Cable conduit:

SILVYN[®] SI - IP68
SILVYN[®] SP - IP54
SILVYN[®] SP-PU - IP54

Accessories:

Hose clip SILVYN[®] SCH

Properties:

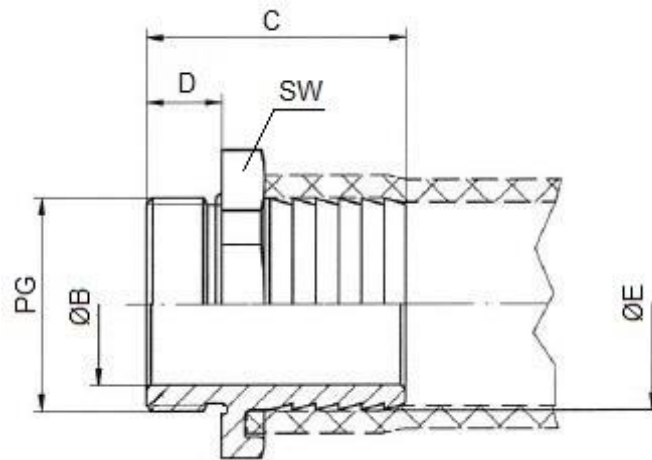
Hose nipple with special grip profile
Tensile strength
Robust
Compact design

Norm references:



Creator: V.Charcenko /PDP Released: DAMU1/PDP	Document: DB52003070EN Version: 04	Page 1 of 2
--	---------------------------------------	-------------

52003070	DATA SHEET	
Valid from: 03.07.2018	SILVYN® SSV	



Article No.	Description	PG	SW	D [mm]	C [mm]	Ø B [mm]	Ø E [mm]
52003070	SSV 9.1	PG9	19	8	25	8	10,3
53800020	SSV 9.2	PG9	19	8	25	10	12,3
52003080	SSV 11.1	PG11	22	8	25	12	14,3
52024560	SSV 11.2	PG11	22	8	25	14	16,3
52003090	SSV 13,5.1	PG13,5	25	8,5	27,5	15,5	18,3
52003100	SSV 16.1	PG16	30	8,5	27,5	19	22,3
52003110	SSV 21.1	PG21	32	9	30	21	24,3
53800080	SSV 29.1	PG29	40	10	33	27	30,3
52024640	SSV 29.2	PG29	42	10	33	30	33,3
52002980	SSV 36.1	PG36	52	11	37	34	38,3
52002990	SSV 42.1	PG42	57	12	41	41	45,3
52013000	SSV 48.1	PG48	64	12	44	46	50,3

For more information please see our current catalogue. Please do not hesitate to contact our laboratory if there are any questions regarding resistance against aggressive agents and special oil.

Creator: V.Charcenko /PDP Released: DAMU1/PDP	Document: DB52003070EN Version: 04	Page 2 of 2
--	---------------------------------------	-------------