

52001889	DATA SHEET	
Valid from: 27.03.2023	SKINDICHT® MINI FKM	

SKINDICHT® MINI FKM, a cable gland made of nickel-plated brass, which guarantees the safe mounting of cables with less diameter although it's low installation height.

The use is predominantly in signal transmission, data transfer, measurement, control technology as well as in medical technology and communications engineering and is particularly suitable for use in aggressive media and at high temperatures.



Components:

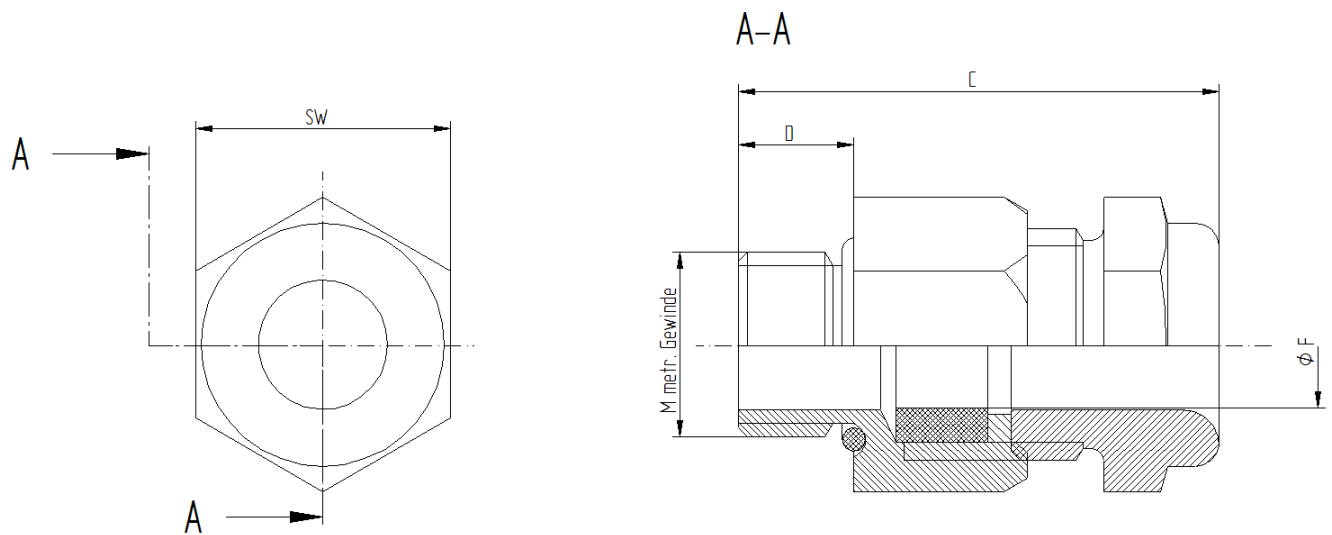
Gland body	Brass, nickel plated
Pressure screw	Brass, nickel plated
Washer	Brass, nickel plated
Sealing ring	FKM
O-ring	FKM

Technical features:

Connecting thread	M6x1, M8x1 and M10x1
Protection class	IP66, acc. to EN 60529 IP68 - 5 bar / 30min, acc. to EN 60529
Strain relief	Category A acc. to DIN EN 62444
Temperature range	-20 °C up to +200 °C



Norm Reference:



M	SW	ØF	C		D	Clamping range	Article Number
			min.	max.			
M 6x1	9	3	16,7	19,7	5	2 - 3	5200 1889
M 8x1	11	5,5	17,9	21,5	5	3,5 - 5,5	5200 1887
M 10x1	14	7,4	18,3	22,3	5	5,5 - 7	5200 1894

For more information please see our current catalogue. Please do not hesitate to contact our laboratory if there are any questions regarding resistance against aggressive agents and special oil.

Creator: MAU1 /PDP Released: DAMU1/PDP	Document: DB52001889EN Version: 05	Page 1 of 1
---	---------------------------------------	-------------