

51730020	DATA SHEET	
Valid from: 03.07.2018	SKINDICHT® KUK	

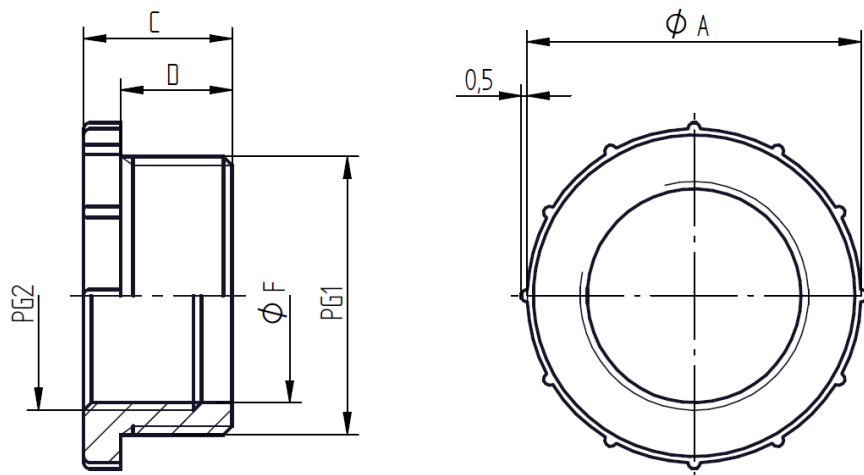
The SKINDICHT® KUK is a reduction with PG-threads and a knurled head.

Technical features:

Material Polyamide, glass-fibre reinforced
 Temperature range -40 °C up to +100 °C
 Color RAL 7035 light-grey



Norm references:



External thread PG1	Internal thread PG2	Ø A [mm]	C [mm]	D [mm]	Ø F [mm]	Article No.
PG 13,5	PG 9	25,5	11	8	13,9	51730020
PG 16	PG 9	28	12	9	13,9	51730025
PG 16	PG 11	28	12	9	17,3	51730030
PG 21	PG 13,5	34,5	13	10	19,1	51730035
PG 21	PG 16	34,5	13	10	21,2	51730090
PG 29	PG 21	44,5	13	10	26,8	51730100
PG 36	PG 29	56,5	14	11	35,5	51730110

For more information please see our current catalogue. Please do not hesitate to contact our laboratory if there are any questions regarding resistance against aggressive agents and special oil.

Creator: T. Dvoulety /PDP Released: DAMU1/PDP	Document: DB51730020EN Version: 01	Page 1 of 1
--	---------------------------------------	-------------