

29145098	<b>DATA SHEET</b>
Valid from: 16.09.2019	<b>POF CONNECTOR HFBR4516 GY DUPLEX /50PC</b>

## Description

- POF optical fibre connector HFBR
- Suitable for polymer optical fibres
- Compatible with HFBR Versatile Link
- Easy manufacturing by crimping



## General characteristics

Connector, type	HFBR
Suitable optical fibres	Polymer fibre, Ø1 mm
Suitable cable-Ø	2 x 2.2 mm
Temperature range	-40 to +85 °C (-40 to +185 °F) (operation + storage) 0 to +70 °C (+32 to +158 °F) (installation)

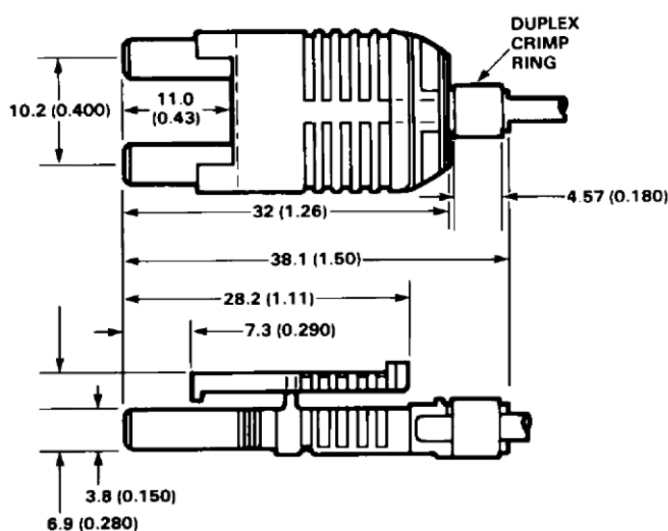
## Variation

Article	Description	Package size [pcs]
29145098	POF CONNECTOR HFBR4516 GY DUPLEX /50PC	50
29145099	POF CONNECTOR HFBR4516 GY DUPLEX /4PC	4

## Mechanical properties

Housing, material	Plastic
Ferrule, material	Plastic
Retention force of fibre optic cable min.	14 N
Insertion force in receptacle (TOTX /-RX module) max.	51 N
Withdrawing force from receptacle (TOTX /-RX module) min.	15 N

## Technical drawing



All dimensions in mm (inches).

## Application range

Optical networks, industry electronics, power electronics

## Note

Photographs are not true to scale and do not represent detailed images of the respective products.