

29142098	DATA SHEET
Valid from: 16.09.2019	POF CONNECTOR HFBR4506 WH DUPLEX /50PC

Description

- POF optical fibre connector HFBR
- Suitable for polymer optical fibres
- Compatible with HFBR Versatile Link
- Easy manufacturing by crimping



General characteristics

Connector, type	HFBR
Suitable optical fibres	Polymer fibre, Ø1 mm
Suitable cable-Ø	2 x 2.2 mm
Temperature range	-40 to +85 °C (-40 to +185 °F) (operation + storage) 0 to +70 °C (+32 to +158 °F) (installation)

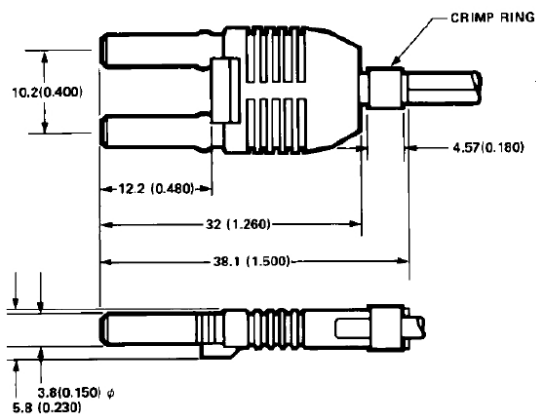
Variation

Article	Description	Package size [pcs]
29142098	POF STECKER HFBR4506 WH DUPLEX /50ST	50
29142099	POF STECKER HFBR4506 WH DUPLEX /4ST	4

Mechanical properties

Housing, material	Plastic
Ferrule, material	Plastic
Retention force of fibre optic cable min.	14 N
Insertion force in receptacle (TOTX /-RX module) max.	46 N
Withdrawing force from receptacle (TOTX /-RX module) min.	4 N

Technical drawing



All dimensions in mm (inches).

Application range

Optical networks, industry electronics, power electronics

Note

Photographs are not true to scale and do not represent detailed images of the respective products.