


22260646	DATA SHEET	
Valid from: 12.09.2019	AB-C5-M12FSB-PG9-SH-AU	

Product description

connector for bus-systems, straight socket, 5-pos., M12, shielded, gold-plated, B-coded, screw connection, metal knurl, Pg9



General properties

Ambient temperature	-40 to +85 °C (-40 to 185 °F)
Protection degree	IP 67
Number of pins	5
Outer diameter, cable	6 – 8 mm
Termination type	screw connection
Termination cross section, AWG	24 – 18
Termination cross section, mm ²	0.25 – 0.75 mm ²
Mating cycles	≥ 100

Electrical properties

Rated voltage	60 V
Contact resistance	≤ 3 mΩ
Insulation resistance	≥ 100 MΩ
Proof voltage, contact-contact	≥ 1.0 kV
Proof voltage, contact-housing	≥ 1.0 kV
Rated current	4 A
Overvoltage category	II
Pollution degree	3


Materials

Contact carrier	PA 66
Contact carrier, inflammability class acc. to UL 94	V0
Contacts, base material	CuZn
Contacts, surface	Au
Locking nut	Die-cast zinc, Ni plated
Grip body	Die-cast zinc, Ni plated
Sealing	NBR / FKM

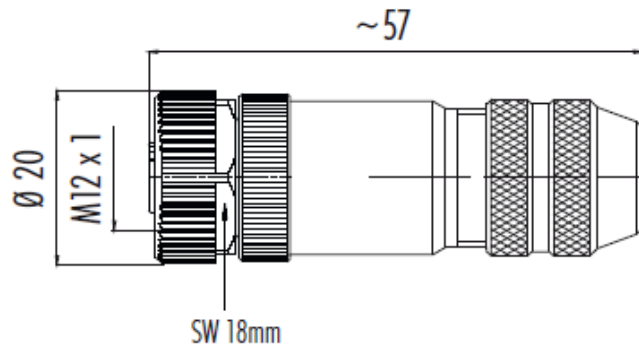
Standards

Product standard	M12-Connector acc. to DIN EN 61076-2-101
------------------	--

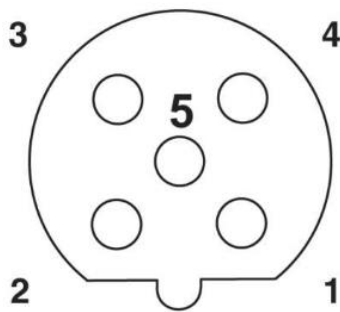
Creator: MANA2/PDP Released: IVSE1/PDP	Document: DB22260646EN Version: 05	Page 1 of 3
---	---------------------------------------	-------------

22260646	DATA SHEET	
Valid from: 12.09.2019	AB-C5-M12FSB-PG9-SH-AU	

Drawings



Pin assignment




Application range

Automation, industrial machinery and plant engineering

Note

Photographs are not true to scale and do not represent detailed images of the respective products.

Creator: MANA2/PDP Released: IVSE1/PDP	Document: DB22260646EN Version: 05	Page 2 of 3
---	---------------------------------------	-------------

22260646	DATA SHEET	
Valid from: 12.09.2019	AB-C5-M12FSB-PG9-SH-AU	

Creator: MANA2/PDP Released: IVSE1/PDP	Document: DB22260646EN Version: 05	Page 3 of 3
---	---------------------------------------	-------------