


| | | |
|---------------------------|---------------------------|---|
| 22260604 | DATA SHEET |  |
| Valid from: 17.09.2018 | AB-C3-M8Y-2XM8FS V | |

Description

- M8 Y-distributor
- Straight plug on 2x straight jack



General characteristics

| | |
|----------------------|--|
| Coding | A-standard |
| Number of pins-plug | 3 |
| Number of pins-jack | 3 |
| Ambient temperature | -25 to +90 °C (-13°F to 194°F) (plug / jack) |
| Degree of protection | IP 65 / IP 67 |
| Tightening torque | 0.2 Nm (M8-connector) |
| Middle distance | 12 mm |

Electrical properties

| | |
|------------------------|------|
| Rated voltage | 60 V |
| Rated current at 40 °C | 4 A |
| Overvoltage category | II |
| Pollution degree | 3 |

Mechanical properties

| | |
|---|--|
| Inflammability class according to UL 94 | HB |
| Contact | CuZn |
| Contact surface | Ni / Au |
| Contact carrier | TPU GF |
| Knurl | Zinc diecasting, nickel-plated |
| Handle | TPU, flame retardant, self-extinguishing |
| Seal | NBR |

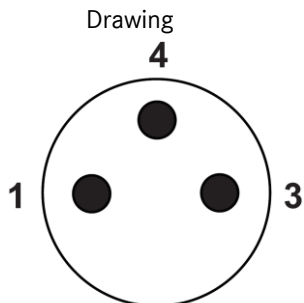
Standards / Approvals

| | |
|--------------------------------|-----------------|
| Product standard, M8 connector | IEC 61076-2-104 |
|--------------------------------|-----------------|

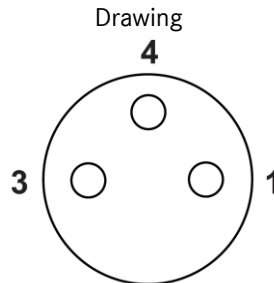
| | | |
|---|---------------------------------------|-------------|
| Creator: ERTC1/PDP Released: IVSE1/PDP | Document: DB22260604EN Version: 04 | Page 1 of 2 |
|---|---------------------------------------|-------------|

| | | |
|---------------------------|---------------------------|---|
| 22260604 | DATA SHEET |  |
| Valid from: 17.09.2018 | AB-C3-M8Y-2XM8FS V | |

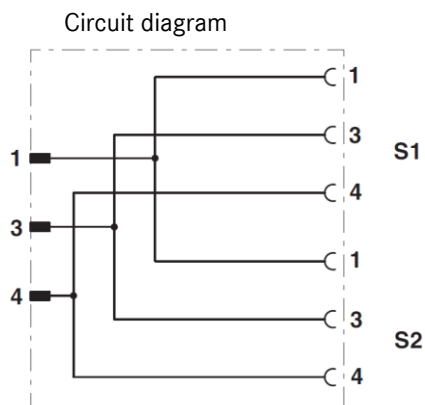
Technical drawing



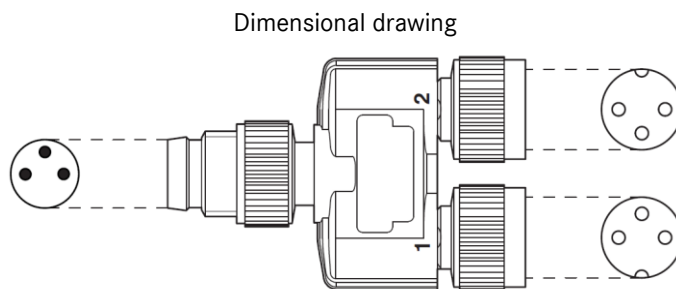
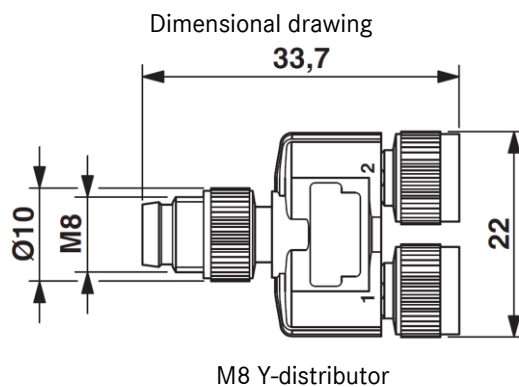
Pin assignment M8-plug,
3 pol, A-coding



Pin assignment M8-jack,
3 pol, A-coding



Pin assignment M8 Y-distributor



Pin assignment orientation

Application range

Automation, industrial machinery and plant engineering

Note

Photographs are not true to scale and do not represent detailed images of the respective products.

| | | |
|---|---------------------------------------|-------------|
| Creator: ERTC1/PDP Released: IVSE1/PDP | Document: DB22260604EN Version: 04 | Page 2 of 2 |
|---|---------------------------------------|-------------|