


22260245	DATA SHEET	
Valid from: 12.09.2019	AB-C3-M8MS-(L*)PUR-M12FA	

Product description

Sensor/actuator cable, 3-pos., PUR black, straight plug M8 on angled socket M12.



Product variations

Article number	Article description	Length (L*) [m]
22260245	AB-C3-M8MS-0,3PUR-M12FA	0.3
22260246	AB-C3-M8MS-0,6PUR-M12FA	0.6
22260247	AB-C3-M8MS-1,0PUR-M12FA	1.0
22260248	AB-C3-M8MS-2,0PUR-M12FA	2.0

This datasheet is also valid for other length configurations. Other lengths upon request.

M8 connector

General properties

Coding	A
Protection degree	IP65/IP67/IP68
Number of contacts	3
Ambient temperature	-25 °C to +90 °C (-13 °F to +194 °F)
Rated voltage	60 V
Rated current	4 A
Insulation resistance	≥ 100 MΩ
Contact resistance	≤ 5 mΩ
Overvoltage category	II
Pollution degree	3
Tightening torque	0.2 Nm
Mating cycles	100

Materials


Contact carrier	TPU GF
Contact carrier, inflammability class acc. to UL 94	HB
Material, contacts	CuSn
Contact surface	Ni/Au
Material, grip body	TPU
Material, knurl	zinc die-cast, nickel-plated
Material, sealing	NBR

M12 connector

General properties

Coding	A
Protection degree	IP65/IP67/IP68
Number of contacts	3
Ambient temperature	-25 °C to +90 °C (-13 °F to +194 °F)
Rated voltage	250 V
Rated current	4 A
Insulation resistance	≥ 100 MΩ
Contact resistance	≤ 5 mΩ
Overvoltage category	III
Pollution degree	3

Creator: MANA2/PDP Released: IVSE1/PDP	Document: DB22260245EN Version: 05	Page 1 of 3
---	---------------------------------------	-------------

22260245	DATA SHEET	
Valid from: 12.09.2019	AB-C3-M8MS-(L*)PUR-M12FA	

Tightening torque 0.4 Nm
Mating cycles 100

Materials

Contact carrier TPU GF
Contact carrier, inflammability class acc. to UL 94 HB
Material, contacts CuSn
Contact surface Ni/Au
Material, grip body TPU
Material, knurl zinc die-cast, nickel-plated
Material, sealing NBR

Cable

Signal line, construction 32 x 0.10 mm
Signal line, AWG 24
Conductor, material stranded of bare copper wire
Conductor, cross-section 0.25 mm²
Number of cores 3
Core identification code brown (1), blue (3), black (4)
Outer diameter, core insulation 1.17 mm
Core insulation, material PP
Outer sheath PUR
Outer sheath, colour black similar to RAL 9005
Outer diameter, cable 4.4 mm


Ambient temperature, fixed installation -40 °C to +80 °C (-40 °F to +176 °F)
Ambient temperature, flexing -25 °C to +80 °C (-13 °F to +176 °F)
Minimum bending radius, fixed installation 5 x cable diameter
Minimum bending radius, flexing 10 x cable diameter
Travel length 10 m
Travel speed 3 m/s
Acceleration 10 m/s²
Number of bending cycles 4.000.000
Nominal voltage ≤ 300 V
Test voltage ≥ 3000 V

Flame retardance flame retardant acc. to UL-Style 20549
Halogen free halogen free acc. to DIN VDE 0472 Part 815
Oil resistance oil resistant acc. to DIN EN 60811-2-1
resistant to hydrolysis and microbes
Other resistances good resistant to acids, lyes and solvents
resistant to sea water
limited UV resistance acc. to DIN EN ISO 4892-2-A

Standards/Approvals

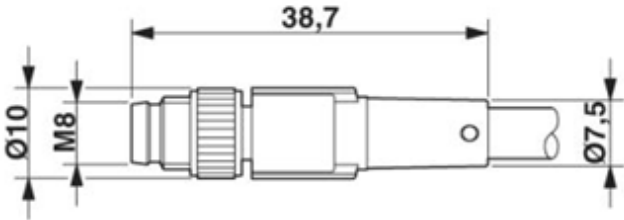
Product standard, M8 connector IEC 61076-2-104
Product standard, M12 connector IEC 61076-2-101
UL-listed, E-File E249137

Creator: MANA2/PDP Released: IVSE1/PDP	Document: DB22260245EN Version: 05	Page 2 of 3
---	---------------------------------------	-------------

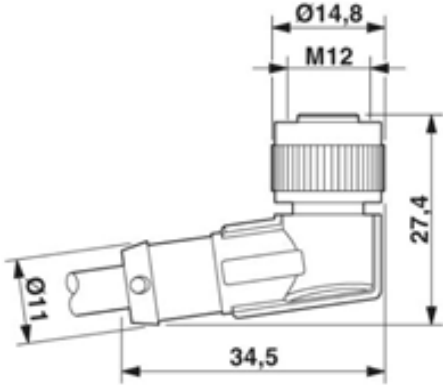
22260245	DATA SHEET	
Valid from: 12.09.2019	AB-C3-M8MS-(L*)PUR-M12FA	

Drawings

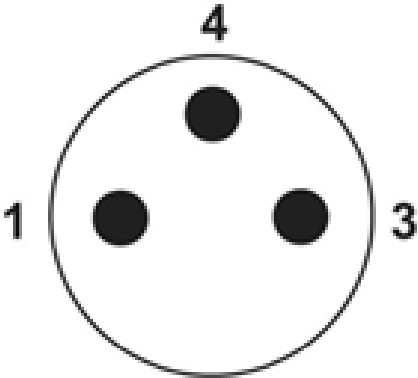
Dimensioned drawing, M8 plug



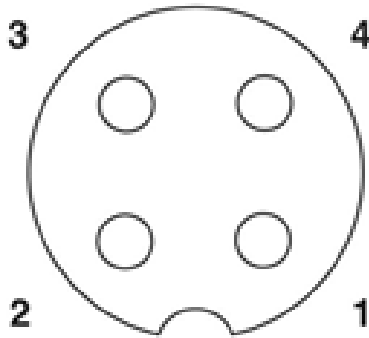
Dimensioned drawing, M12 socket



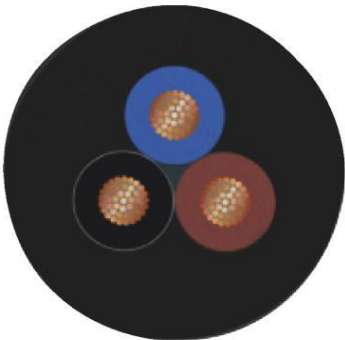
Pin assignment



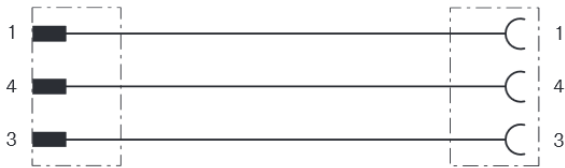
Pin assignment



Cable



Wiring diagram



Core identification code: brown (1), blue (3), black (4)

Application range

For increased mechanical stress and harsh operating conditions

Note

Photographs are not true to scale and do not represent detailed images of the respective products.

Creator: MANA2/PDP Released: IVSE1/PDP	Document: DB22260245EN Version: 05	Page 3 of 3
---	---------------------------------------	-------------