


22260134	DATA SHEET	
Valid from: 12.09.2019	AB-C4-M12MS-F0,75	

Product description

Sensor/Actuator connector, straight plug, 4-pos., M12, A-coded, fast connection system, metal knurl, cable diameter max. 8 mm



General properties

Ambient temperature	-25 to +80 °C
Protection degree	IP 65 / IP 67
Number of contacts	4
Outer diameter, cable	4.0 – 8.0 mm
Termination type	insulation displacement connection (IDC)
Termination cross section, AWG	22 - 18
Termination cross section, mm ²	0.34 – 0.75

Mechanical properties

Mating cycles	100
Rewiring, same cross section	5 times
Tightening torque, locking nut	1.2 Nm

Electrical properties

Rated voltage	250 V
Contact resistance	≤ 5 mΩ
Insulation resistance	≥ 10 ⁷ MΩ
Proof voltage, contact-contact	≥ 1.4 kV
Proof voltage, contact-housing	≥ 1.4 kV
Rated current	4 A
Overvoltage category	II
Pollution degree	3


Materials

Contact carrier	PA
Contact carrier, Inflammability class in accordance with UL 94	V0
Contacts, base material	CuSn
Contacts, surface	Ni/Au
Locking nut	Die-cast zinc, Ni plated
Grip body	PA
Sealing	NBR

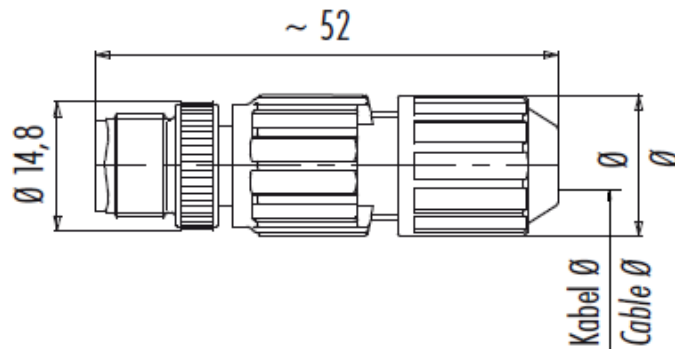
Standards

Product standard	M12-Connector acc. to DIN EN 61076-2-101
------------------	--

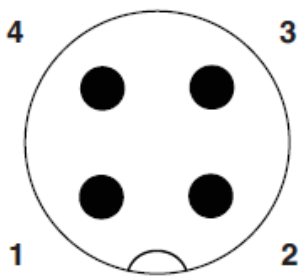
Creator: MANA2/PDP Released: IVSE1/PDP	Document: DB22260134EN Version: 05	Page 1 of 2
---	---------------------------------------	-------------

22260134	DATA SHEET	
Valid from: 12.09.2019	AB-C4-M12MS-F0,75	

Drawings



Pin assignment



Application range

Automation, industrial machinery and plant engineering

Note

Photographs are not true to scale and do not represent detailed images of the respective products.

Creator: MANA2/PDP Released: IVSE1/PDP	Document: DB22260134EN Version: 05	Page 2 of 2
---	---------------------------------------	-------------