


22260119	DATA SHEET	
Valid from: 12.09.2019	AB-C4-M8FS-P	

Product description

Sensor/actuator connector, straight socket M8, 4-pos.,
piercing contact, metal knurl, max. cable diameter 5.0 mm



General properties

Ambient temperature	-25 to +85 °C
Protection degree	IP67
Number of contacts	4
Coding	A
Outer diameter, cable	3.0 – 5.0 mm
Termination type	piercing
Termination cross section, AWG	26 – 22
Termination cross section, mm ²	0.14 – 0.38
Mating cycles	100

Electrical properties

Rated voltage	60 V
Contact resistance	≤ 3 mΩ
Insulation resistance	≥ 10 TΩ
Proof voltage, contact-contact	≥ 1.00 kV
Proof voltage, contact-housing	≥ 0.85 kV
Rated current	4 A
Overvoltage category	II
Pollution degree	3


Materials

Contact carrier	PA
Contact carrier, inflammability class in accordance with UL 94	V0
Contacts, base material	CuZn
Contacts, surface	Au
Knurl	Brass, Ni plated
Grip body	PA
Sealing	NBR

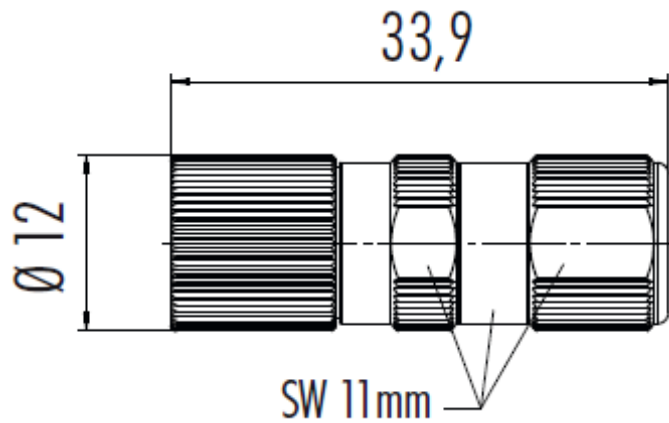
Standards

Product standard	M8-Connector acc. to DIN EN 6 1076-2-104
------------------	--

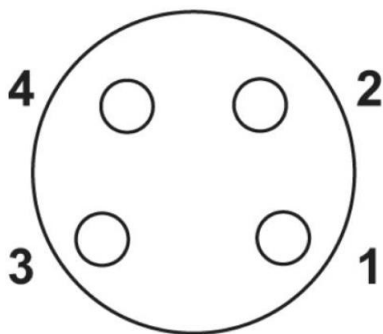
Creator: MANA2/PDP Released: IVSE1/PDP	Document: DB22260119EN Version: 05	Page 1 of 2
---	---------------------------------------	-------------

22260119	DATA SHEET	
Valid from: 12.09.2019	AB-C4-M8FS-P	

Drawings



Pin assignment



Note

Photographs are not true to scale and do not represent detailed images of the respective products.

Creator: MANA2/PDP Released: IVSE1/PDP	Document: DB22260119EN Version: 05	Page 2 of 2
---	---------------------------------------	-------------