


| | | |
|---------------------------|----------------------------|---|
| 22260111 | DATA SHEET |  |
| Valid from: 17.09.2018 | AB-C5-M12FS-PG9-0,5 | |

Description

- Sensor/Actuator flush-type socket, 5-pos., A-coded, M12
- Front/screw mounting with PG9 thread, with 0.5 m TPE litz wire, 5 x 0.34 mm²



General characteristics

| | |
|------------------------------------|--|
| Number of poles | 5 |
| Connection type | Fixed connection |
| Status indicator | No |
| Coding | A-standard |
| Degree of protection | IP 67 |
| Inflammability class acc. to UL 94 | V0 |
| Ambient temperature (operation) | -25 to +90 °C (-13 to 194 °F) (cable, fixed installation) -25 to +85 °C (-13 to 185 °F) (connector) |

Electrical properties

| | |
|--------------------------------|----------|
| Nominal voltage U _N | 60 V |
| Nominal current I _N | 4 A |
| Surge voltage category | II |
| Pollution degree | 3 |
| Insulation resistance | 20 mΩ*km |
| Contact resistance | 3 mΩ |

Mechanical properties


Connector

| | |
|---------------------------|-----------------------|
| Contact, material | CuZn |
| Contact surface, material | Au |
| Contact carrier, material | PA66 GF |
| Knurl, material | Brass (nickel-plated) |
| Sealing, material | NBR |

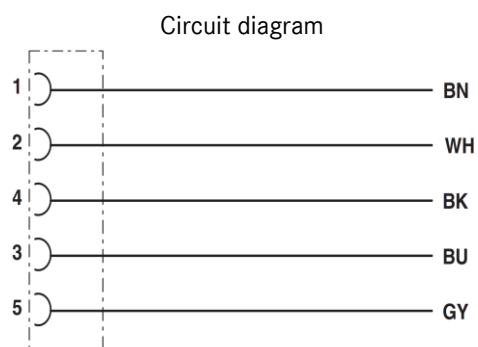
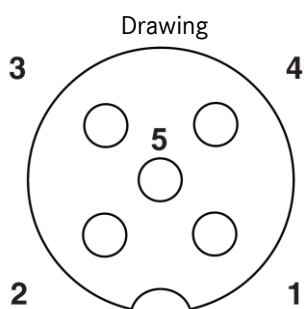
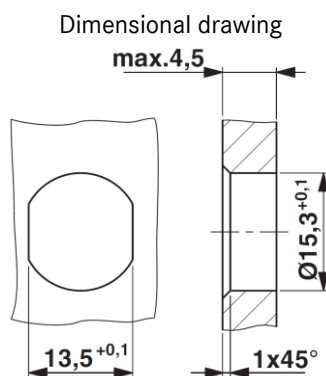
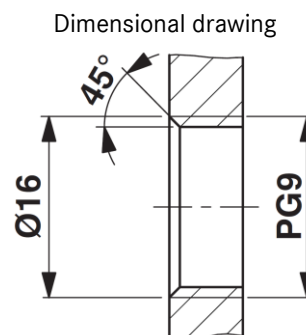
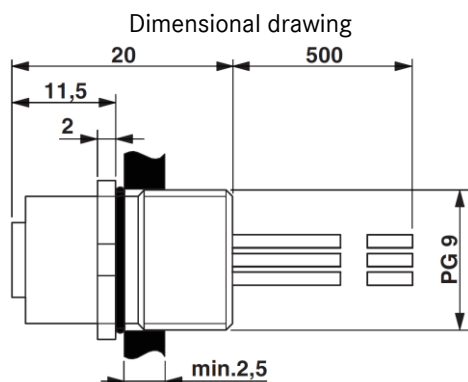
Line

| | |
|---|------------------------------|
| Cable type | TPE litz wire |
| Conductor, material | Tin plated copper litz wires |
| Core insulation, material | PE |
| Conductor diameter including insulation | 1.2 mm |
| Conductor cross section | 0.34 mm ² |
| AWG signal line | 22 |

| | | |
|---|---------------------------------------|-------------|
| Creator: MOKO2/PDP Released: IVSE1/PDP | Document: DB22260111EN Version: 03 | Page 1 of 2 |
|---|---------------------------------------|-------------|

| | | |
|---------------------------|---------------------|---|
| 22260111 | DATA SHEET |  |
| Valid from: 17.09.2018 | AB-C5-M12FS-PG9-0,5 | |

Technical drawing



Application range

Connection of enclosures and cabinets

Note

Photographs are not true to scale and do not represent detailed images of the respective products.

| | | |
|---|---------------------------------------|-------------|
| Creator: MOKO2/PDP Released: IVSE1/PDP | Document: DB22260111EN Version: 03 | Page 2 of 2 |
|---|---------------------------------------|-------------|