


2171758	<b>DATA SHEET</b>	
Valid from: 30.03.2021	<b>IE-EC-5-M8-S-(L*)-P-2-26-FD-RJ45</b>	

## Description

- Industrial Ethernet Patchcord, EtherCat, Cat.5e, PUR, for drag chain
- straight plug M8 on straight plug RJ45



This datasheet is also valid for other length configurations. Other length configurations on request.

## General characteristics

Connection methods	M8-plug, A-standard RJ45-plug
Number of pins	4
Ambient temperature	-40 °C to +70 °C (-40 °F to +158 °F) (connector) -40 °C to +80 °C (-40 °F to +176 °F) (cable fixed installation) -30 °C to +50 °C (-22 °F to +122 °F) (cable flexible)
Degree of protection	IP 67 (M8-jack) IP 20 (RJ45-jack)
Shielding	shielded


## Variation

Material	Description	Length (L*) [m]
2171757	IE-EC-5-M8-S-0,5-P-2-26-FD-RJ45	0,5
2171758	IE-EC-5-M8-S-1-P-2-26-FD-RJ45	1
2171759	IE-EC-5-M8-S-2-P-2-26-FD-RJ45	2
2171760	IE-EC-5-M8-S-3-P-2-26-FD-RJ45	3
2171761	IE-EC-5-M8-S-5-P-2-26-FD-RJ45	5
2171762	IE-EC-5-M8-S-10-P-2-26-FD-RJ45	10
2171763	IE-EC-5-M8-S-20-P-2-26-FD-RJ45	20

## Electrical properties

Rated voltage	30 VDC
Rated current at 40 °C	1 A
Pollution degree	3 (M8-jack) 1 (RJ45-jack)

Creator: FELI1/PDP Released: IVSE1/PDP	Document: DB2171758EN Version: 02	Page 1 of 3
---	--------------------------------------	-------------

2171758	<b>DATA SHEET</b>	
Valid from: 30.03.2021	<b>IE-EC-5-M8-S-(L*)-P-2-26-FD-RJ45</b>	

## Mechanical properties

### M8-plug

Handle	TPU
Knurl	Zinc diecasting, nickel-plated
Contact	CuZn, gold-plated

### Line

Lapp article number	2170433
Lapp description	ETHERLINE P EC FD Cat.5e
Cable construction	4x AWG26/19
Conductor diameter including isolation	ca. Ø1.03 mm
Cable outer diameter	Ø4.8 mm ± 0.3mm
Core identification	White-orange, orange, white-green, green
Sheath color	green, similar to RAL 6018
Type of pair shielding	Plastic laminated alufoil
Shielding	Braid made of tinned copper wires
Bending radius	4x cable-Ø (cable fixed installation) 16x cable-Ø (cable flexible)
Outer coating, material	PUR
Material wire insulation	Polyoefine
Flame resistance	UL 1581, Sec. 1080 (VW-1) UL 2556
Halogen-free	Acc. DIN VDE 0472 part 815

### RJ45-plug

Handle	TPU
Contact	CuZn, gold-plated


## Connector pin assignment

Pol = color of conductor (Signal) = Pol	1 (M8) = white-orange = 1 (RJ45)
	2 (M8) = white-green = 3 (RJ45)
	3 (M8) = green = 6 (RJ45)
	4 (M8) = orange = 2 (RJ45)

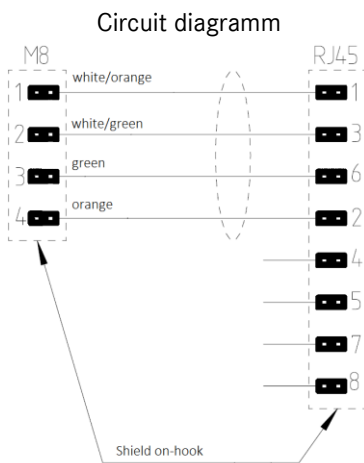
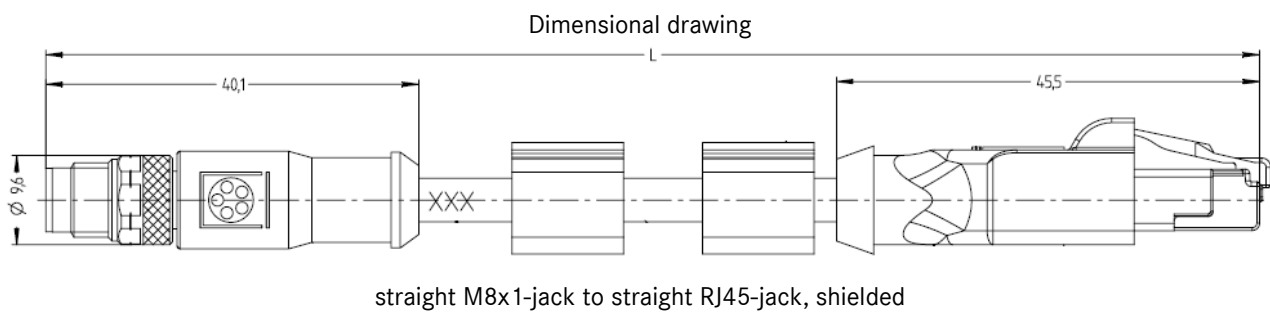
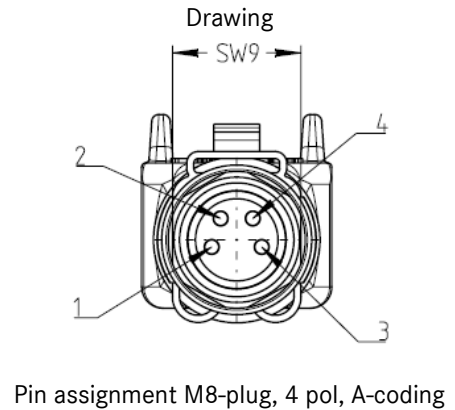
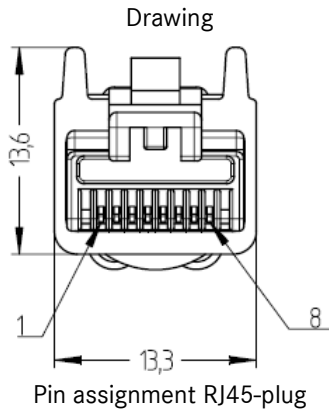
## Standards / Approvals

Product standard, M8 connector	IEC 61076-2-104
Product standard, RJ45 connector	IEC 60603-7-51
Generic cabling for customer premises - General requirements	DIN EN 50173-1 ISO/IEC 11801

Creator: FELI1/PDP Released: IVSE1/PDP	Document: DB2171758EN Version: 02	Page 2 of 3
---	--------------------------------------	-------------

2171758	<b>DATA SHEET</b>	
Valid from: 30.03.2021	<b>IE-EC-5-M8-S-(L*)-P-2-26-FD-RJ45</b>	

### Technical drawing



### Certification

Certified acc. to ECE R118

### Application range

Automation, industrial machinery and plant engineering

### Note

Photographs are not true to scale and do not represent detailed images of the respective products

Creator: FELI1/PDP Released: IVSE1/PDP	Document: DB2171758EN Version: 02	Page 3 of 3
---	--------------------------------------	-------------