


| | | |
|---------------------------|----------------------------|-------------------------------------------------------------------------------------|
| 21700605 | DATA SHEET |  |
| Valid from: 08.07.2021 | ED-IE-AX-5-PN-20-FC | |

Product description

- Field mountable Industrial Ethernet RJ45 connector with color coding acc. to PROFINET standard
- Connector acc. to IEC 60603-7-51
- Suitable for industrial applications, structured cabling for office building applications, data centers and home networks



General properties

| | |
|----------------------------------------------|-------------------|
| Ambient temperature | -40 to +85 °C |
| Protection degree | IP 20 |
| Outer diameter, cable | 5.0 – 9.0 mm |
| Outer diameter, wire | 1.0 – 1.6 mm |
| Termination cross section, stranded, 7 wires | AWG27/7 – AWG22/7 |
| Termination cross section, solid | AWG24/1 – AWG22/1 |

Mechanical properties

| | |
|----------------------------------------------|--------|
| Insertion force | ≤ 30 N |
| Mating cycles | ≥ 750 |
| Cable extraction force (assembled connector) | ≥ 50 N |

Electrical properties

| | |
|-------------------------------------------------------------|--------------|
| Contact resistance | ≤ 20 mΩ |
| Insulation resistance | ≥ 500 MΩ |
| Proof voltage, contact-contact | ≥ 1000 V, DC |
| Proof voltage, contact-shield | ≥ 1500 V, DC |
| Current carrying capacity at 50 °C | 1 A |
| Suitable for Power over Ethernet 4PPoE acc. to IEEE 802.3bt | ja |

Materials

| | |
|----------------------------------|---------------|
| Connector housing, base material | die-cast zinc |
| Connector housing, surface | Ni |
| Contacts, surface | Au |


Transmission characteristics

| | |
|----------------|-----------------------------------------------------------------------------------------|
| Category (ISO) | 5 (Profinet Installation Guideline) 6 _A (Product Standard RJ45-connector) |
|----------------|-----------------------------------------------------------------------------------------|

Standards

| | |
|-----------------------|---------------------------------------|
| Product standard | RJ45 connector acc. to IEC 60603-7-51 |
| Generic cable systems | Profinet Installation Guideline |

| | | |
|-------------------------------------------|---------------------------------------|-------------|
| Creator: MANA2/PDP Released: IVSE1/PDP | Document: DB21700605EN Version: 06 | Page 1 of 2 |
|-------------------------------------------|---------------------------------------|-------------|

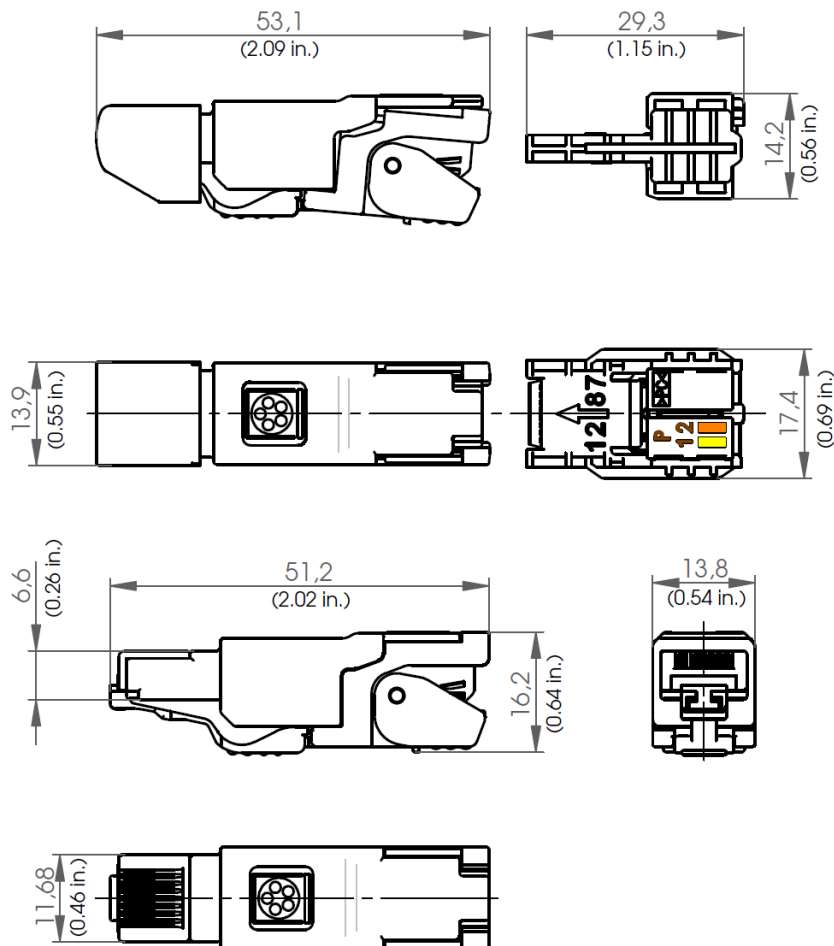
| | | |
|---------------------------|----------------------------|-------------------------------------------------------------------------------------|
| 21700605 | DATA SHEET |  |
| Valid from: 08.07.2021 | ED-IE-AX-5-PN-20-FC | |

Approvals

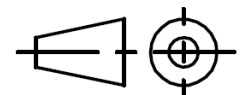
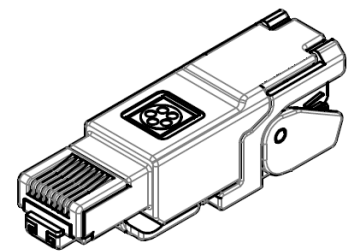
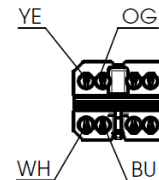
UL listed, E-File

E353543

Drawings



Anschlussbelegung / PIN assignment
Profinet / industrial



Application range

Automation, industrial machinery and plant engineering

Note

Photographs are not true to scale and do not represent detailed images of the respective products.

| | | |
|-------------------------------------------|---------------------------------------|-------------|
| Creator: MANA2/PDP Released: IVSE1/PDP | Document: DB21700605EN Version: 06 | Page 2 of 2 |
|-------------------------------------------|---------------------------------------|-------------|