


76153000	DATA SHEET	
Valid from: 09.12.2020	EPIC® POWER LS1 G5 5+PE	

Description

- Circular connectors for servomotors and power supply
- High power at smallest installation space
- Optimal solution for electric motors
- EMC-optimised design
- Safety use in field environment by high protection class



General Characteristics

Series	POWER LS 1
Version	Front wall mounting for male contacts
Pin configuration	5+PE
Rated voltage (V)	630 V
Rated impulse voltage	6 kV
Rated current (A)	25 A
Contact resistance	< 4 mOhm
Contacts	Gold plated brass
Number of contacts	5+PE
Termination methods	Crimp termination: 0.5 - 2.5 mm ²
Cable clamping range	M25x1,5 (with nut)
Protection	IP 68
Cycle of mechanical operation	500
Temperature range	-25°C to +125°C
Degree of soiling	3

Product Variation

76153510 PU =20 pieces: the contacts must be ordered separately

Materials and Surfaces

Housing	Zinc die-casting, nickel-plated, Brass, nickel-plated
Insert	PA
Seal	FPM

Approvals


VDE-Approval, VDE-REG.-Nr.	B025
UL-File-Number	E249137

Standard

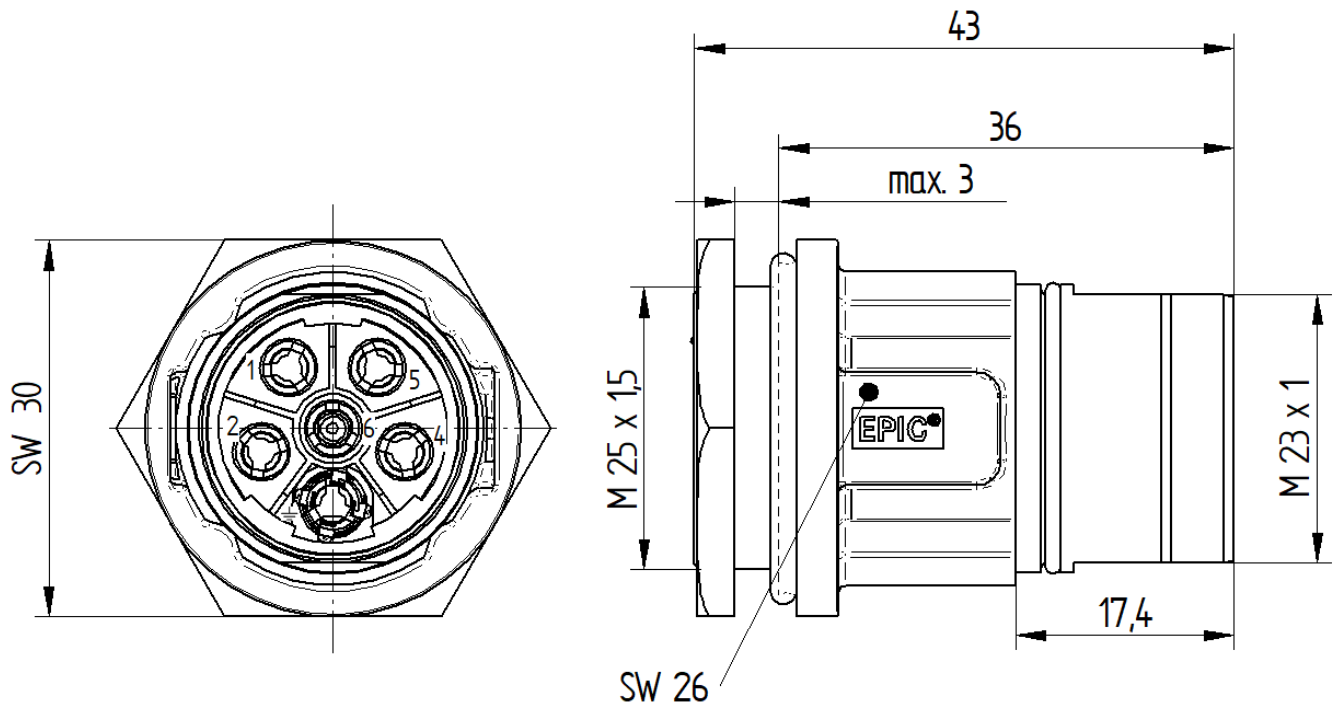
Safety Standard IEC 61984, UL 2238, CSA 22.2 182.3



Creator: MANA2/PDP Released: IVSE1/PDP	Document: DB76153000EN Version: 04	Page 1 of 3
---	---------------------------------------	-------------

76153000	DATA SHEET	
Valid from: 09.12.2020	EPIC® POWER LS1 G5 5+PE	

Technical Drawings



Good chemical resistance



Corrosion-resistant



Industrial machinery and plant engineering



Maximum vibration protection



Mechanical resistance




Assembly time



Space requirement

Creator: MANA2/PDP Released: IVSE1/PDP	Document: DB76153000EN Version: 04	Page 2 of 3
---	---------------------------------------	-------------

76153000	DATA SHEET	
Valid from: 09.12.2020	EPIC® POWER LS1 G5 5+PE	



Robust



Waterproof



Wind Energy



Variety of approval certifications

Application range

Plant engineering

Servo drives and servo assemblies

Remark

Photographs are not to scale and do not represent detailed images of the respective products.

Creator: MANA2/PDP Released: IVSE1/PDP	Document: DB76153000EN Version: 04	Page 3 of 3
---	---------------------------------------	-------------