


73000012	DATA SHEET	
Valid from: 18.09.2020	EPIC® POWER LS1 F6 5+PE	

Description

- Circular connectors for servomotors and power supply
- High power at smallest installation space
- Optimal solution for electric motors
- EMC-optimised design
- Safety use in field environment by high protection class



General Characteristics

Series	POWER LS 1
Version	Cable coupler for male contacts
Pin configuration	5+PE
Rated voltage (V)	630 V (2mm Contacts)
Rated impulse voltage	6 kV (2mm Contacts)
Rated current (A)	25 A/5+PE (2mm Contacts)
Contact resistance	< 4 mOhm
Contacts	Gold plated brass
Number of contacts	5+PE
Termination methods	Crimp termination: 0.5 – 2.5 mm ² (2 mm contacts) Crimp termination: 4.0 mm ² (only 44420095)
Protection	IP 68
Cycle of mechanical operation	500
Temperature range	-25°C to +125°C
Degree of soiling	3

Product Variations


Package unit =20 pcs: Contacts must be ordered separately

Article- Number	Article	Contacts included	Cable clamping range mm	Pin configuration
Type LS1 F6, Cable coupler, 6-pin for male contacts				
73000012	LS1 F6	6	8,5 - 11	5+PE
73000014	LS1 F6		8,5 - 11	5+PE
73000013	LS1 F6	6	10,5 - 15,5	5+PE
73000015	LS1 F6		10,5 - 15,5	5+PE
76133000	LS1 F6	6	7,5 - 15,5	5+PE
76133510	LS1 F6		7,5 - 15,5	5+PE
44420095	LS1 F6 with 2mm contact for 4mm ² termination	6	14 - 17	5+PE
44420094	LS1 F6		14 - 17	5+PE

Materials and Surfaces

Housing	Nickel-plated zinc die-casting, nickel-plated brass
Insert	PA
Seal	FPM

Creator: STKU3/PDP Released: IVSE1/PDP	Document: DB73000012EN Version: 04	Page 1 of 3
---	---------------------------------------	-------------

73000012	DATA SHEET	
Valid from: 18.09.2020	EPIC® POWER LS1 F6 5+PE	

Approvals

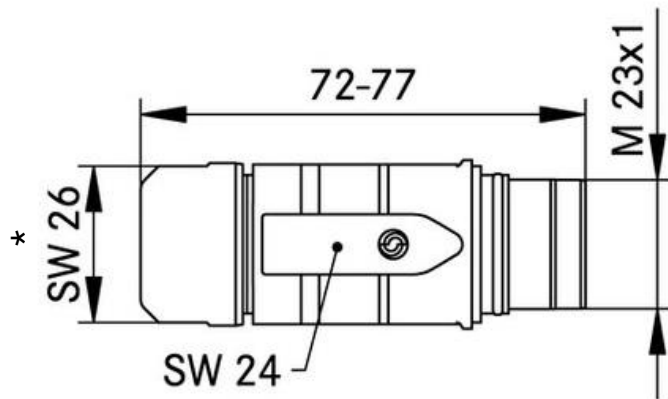
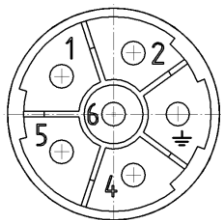
VDE-Approval, VDE-REG.-Nr. B025
 UL-File-Number E249137

Standard

Safety Standard IEC 61984, UL 2238, CSA 22.2 182.3



Technical Drawings



Article Number	*Wrench size
73000012	26
73000014	26
73000013	26
73000015	26
76133000	27
76133510	27
44420095	27
44420094	27



Good chemical resistance



Corrosion-resistant



Industrial machinery and plant engineering




Maximum vibration protection



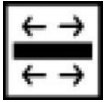
Mechanical resistance

Creator: STKU3/PDP Released: IVSE1/PDP	Document: DB73000012EN Version: 04	Page 2 of 3
---	---------------------------------------	-------------

73000012	DATA SHEET	
Valid from: 18.09.2020	EPIC® POWER LS1 F6 5+PE	



Assembly time



Optimum strain relief



Space requirement



Robust



Integrated SKINTOP® cable gland



Waterproof



Wind Energy



Variety of approval certifications

Application range

Plant engineering
Servo drives and servo assemblies

Remark

Photographs are not to scale and do not represent detailed images of the respective products.

Creator: STKU3/PDP Released: IVSE1/PDP	Document: DB73000012EN Version: 04	Page 3 of 3
---	---------------------------------------	-------------