


72004000	<b>DATA SHEET</b>	
Valid from: 28.07.2021	<b>EPIC<sup>®</sup> SIGNAL M23 A1</b>	

## Description

- Circular connectors for servo cables and encoders
- Safe fixing with 4 screws
- Permanent vibration protection



## General characteristics

Series	SIGNAL M23
Version	Panel-mount box, front wall mounting
Protection rating	IP 68 (10 h / 1 m)
Temperature range	-25 °C to +125 °C

## Product variations

Article number	Coding	Fastening type	PU
72004000	black (N)	Ø2,7mm (4x)	5
72004010	black (N)	Ø2,7mm (4x)	20
72004200	red (+20°)	Ø2,7mm (4x)	5
72004210	red (+20°)	Ø2,7mm (4x)	20
72004100	blue (-20°)	Ø2,7mm (4x)	5
72004110	blue (-20°)	Ø2,7mm (4x)	20

## Materials and surfaces

Housing	Nickel plated zinc die-casting
Sealing	FPM


## Approvals

VDE-Approval, VDE-REG.-Nr.	C024
UL File Number	E249137

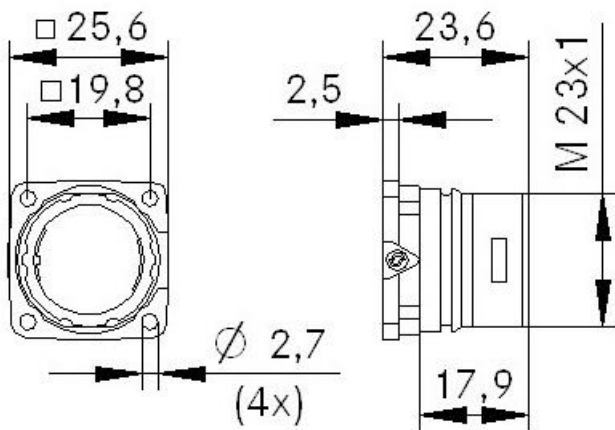
## Standard

Safety Standard	IEC 61984, UL 2238, CSA 22.2 182.3
-----------------	------------------------------------

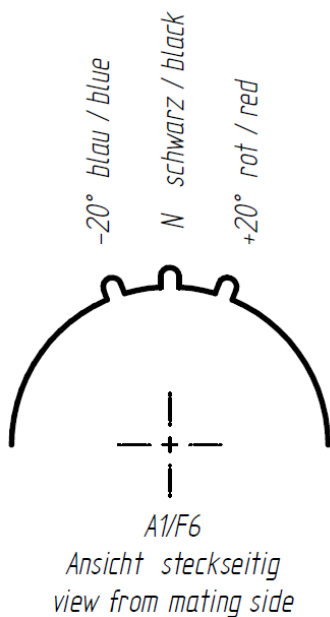
Creator: MANA2/PDP Released: IVSE1/PDP	Document: DB72004000EN Version: 03	Page 1 of 3
-------------------------------------------	---------------------------------------	-------------

72004000	<b>DATA SHEET</b>	
Valid from: 28.07.2021	<b>EPIC<sup>®</sup> SIGNAL M23 A1</b>	


### Drawings



### Coding



Creator: MANA2/PDP Released: IVSE1/PDP	Document: DB72004000EN Version: 03	Page 2 of 3
-------------------------------------------	---------------------------------------	-------------

72004000	<b>DATA SHEET</b>	
Valid from: 28.07.2021	<b>EPIC<sup>®</sup> SIGNAL M23 A1</b>	



Good chemical resistance



Industrial machinery and plant engineering



Robust



Waterproof



Wind energy



Variety of approval certifications

### Info

Colour coding for easy connecting

### Application range

Plant engineering  
 Servo drives and Servo assemblies  
 Measurement and control technology

### Remark

Photographs are not to scale and do not represent detailed images of the respective products.

Creator: MANA2/PDP Released: IVSE1/PDP	Document: DB72004000EN Version: 03	Page 3 of 3
-------------------------------------------	---------------------------------------	-------------