


44429352	DATA SHEET	
Valid from: 12.04.2023	EPIC® LS3 A1	

Description

- Circular connectors for servomotors and power supply
- More power for servo motors
- Robust against mechanical impacts
- EMC protection



General Characteristics

Series	LS 3
Version	for male contacts
Pin configuration	3+PE+2 / 3+PE+4
Rated voltage (V)	630 V (10 mm Contacts) 250 V (1,6 mm Contacts)
Rated impulse voltage	6 kV (10 mm Contacts) 4 kV (1,6 mm Contacts)
Rated current (A)	150 A (10 mm contacts) at 25 °C 12 A (1,6 mm contacts) at 25 °C
Contacts	Silver plated brass Gold plated brass
Number of contacts	3+PE+2 / 3+PE+4
Termination methods	Crimp termination: 10 - 50 mm ² (10 mm contacts) Crimp termination: 0.75 - 1,5 mm ² (1,6 mm contacts)
Protection	IP 67
Cycle of mechanical operation	50
Temperature range	-40°C to +125°C
Degree of soiling	3


Product Variations

Article- Number	Article	Fastening type	Pin configuration
Type LS 3 A1 for male contacts			
44429352	LS3 A1	Ø4,2mm (4x)	3+PE+2
44429353	LS3 A1	Ø4,2mm (4x)	3+PE+4

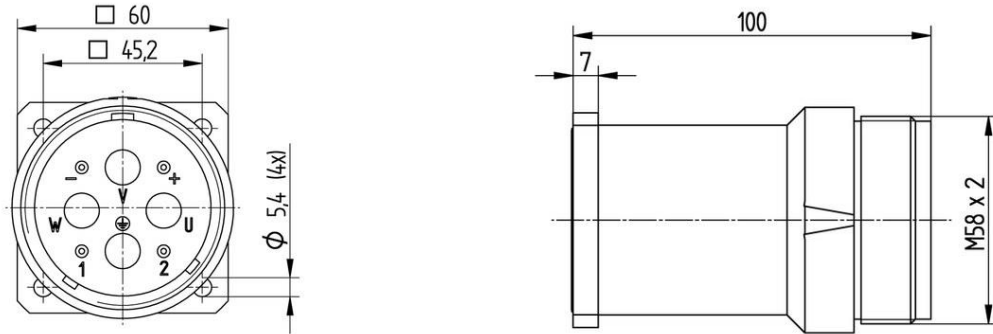
Materials and Surfaces

Housing	Anodised aluminium
Insert	PA
Seal	FPM

Creator: LEBU1/PDP Released: IVSE1/PDP	Document: DB44429352EN Version: 02	Page 1 of 2
---	---------------------------------------	-------------

44429352	DATA SHEET	
Valid from: 12.04.2023	EPIC® LS3 A1	

Technical Drawings



Robust



Reliability



Waterproof

Info

Robust power supply connector

Application range

Plant engineering

Servo drives and servo assemblies

Remark

Photographs are not to scale and do not represent detailed images of the respective products.

Creator: LEBU1/PDP Released: IVSE1/PDP	Document: DB44429352EN Version: 02	Page 2 of 2
---	---------------------------------------	-------------