


44429344	<b>DATA SHEET</b>	
Valid from: 12.04.2023	<b>EPIC® LS3 D6</b>	

## Description

- Circular connectors for servomotors and power supply
- More power for servo motors
- Robust against mechanical impacts
- EMC protection



## General Characteristics

Series	LS 3
Version	for female contacts
Pin configuration	3+PE+2 / 3+PE+4
Rated voltage (V)	630 V (10 mm Contacts) 250 V (1,6 mm Contacts)
Rated impulse voltage	6 kV (10 mm Contacts) 4 kV (1,6 mm Contacts)
Rated current (A)	150 A (10 mm contacts) at 25 °C 12 A (1,6 mm contacts) at 25 °C
Contacts	Silver plated brass Gold plated brass
Number of contacts	3+PE+2 / 3+PE+4
Termination methods	Crimp termination: 10 - 50 mm <sup>2</sup> (10 mm contacts) Crimp termination: 0.75 - 1,5 mm <sup>2</sup> (1,6 mm contacts)
Protection	IP 67
Cycle of mechanical operation	50
Temperature range	-40°C to +125°C
Degree of soiling	3


## Product Variations

Article- Number	Article	Clamping range	Pin configuration
<b>Type LS 3 D6 for female contacts</b>			
44429344	LS3 D6	17 - 25	3+PE+2
44429345	LS3 D6	25 - 36	3+PE+2
44429346	LS3 D6	17 - 25	3+PE+4
44429347	LS3 D6	25 - 36	3+PE+4

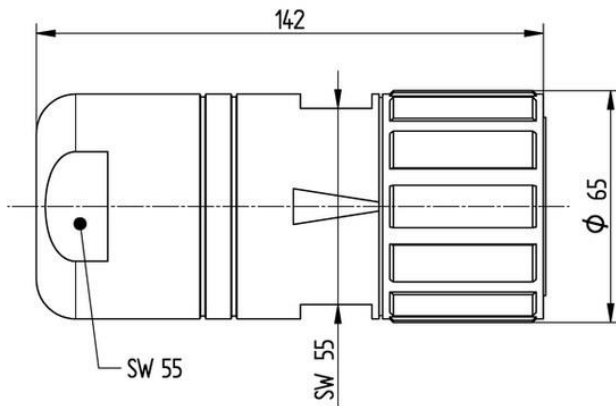
## Materials and Surfaces

Housing	Anodised aluminium
Insert	PA
Seal	FPM

Creator: LEBU1/PDP Released: IVSE1/PDP	Document: DB44429344EN Version: 02	Page 1 of 2
---	---------------------------------------	-------------

44429344	<b>DATA SHEET</b>	
Valid from: 12.04.2023	EPIC® LS3 D6	

### Technical Drawing



Robust



Reliability



Waterproof

### Application range

Plant engineering  
Servo drives and servo assemblies

### Remark

Photographs are not to scale and do not represent detailed images of the respective products.

Creator: LEBU1/PDP Released: IVSE1/PDP	Document: DB44429344EN Version: 02	Page 2 of 2
---	---------------------------------------	-------------