

44429011	DATA SHEET	
Valid from: 14.10.2020	EPIC® D-SUB SCBG / BCBG AU ROLLER CONTACTS	

Description

- For inserts and modules of the EPIC® connectors



Article-Number	Article	Version	Conductor cross-section [mm ²]	Conductor cross-section [AWG]	Surface	Stripping length [mm]	Max insulation diameter [mm]	Note
Contact								
44429011	EPIC® D-SUB SCBG AU G2 0,08-0,22 (500)	male	0,08 - 0,22	24-28	Au (0,8µm)	2,5 + 0,5	1,0	1 reel (PU) = 500 contacts
44429007	EPIC® D-SUB BCBG AU G2 0,08-0,22 (500)	female	0,08 - 0,22	24-28	Au (0,8µm)	2,5 + 0,5	1,0	1 reel (PU) = 500 contacts
44429013	EPIC® D-SUB SCBG AU G3 0,08-0,22 (500)	male	0,08 - 0,22	24-28	Au (0,1µm)	2,5 + 0,5	1,0	1 reel (PU) = 500 contacts
44429009	EPIC® D-SUB BCBG AU G3 0,08-0,22 (500)	female	0,08 - 0,22	24-28	Au (0,1µm)	2,5 + 0,5	1,0	1 reel (PU) = 500 contacts
44429012	EPIC® D-SUB SCBG AU G2 0,22-0,56 (500)	male	0,22 - 0,56	20-24	Au (0,8µm)	2,5 + 0,5	1,5	1 reel (PU) = 500 contacts
44429008	EPIC® D-SUB BCBG AU G2 0,22-0,56 (500)	female	0,22 - 0,56	20-24	Au (0,8µm)	2,5 + 0,5	1,5	1 reel (PU) = 500 contacts
44429014	EPIC® D-SUB SCBG AU G3 0,22-0,56 (500)	male	0,22 - 0,56	20-24	Au (0,1µm)	2,5 + 0,5	1,5	1 reel (PU) = 500 contacts
44429010	EPIC® D-SUB BCBG AU G3 0,22-0,56 (500)	female	0,22 - 0,56	20-24	Au (0,1µm)	2,5 + 0,5	1,5	1 reel (PU) = 500 contacts
44429030	EPIC D-Sub SCBG AU G3 0,22-0,56 (10k)	male	0,22 - 0,56	20-24	Au (0,1µm)	2,5 + 0,5	1,5	1 reel (PU) = 10000 contacts
44429031	EPIC D-Sub BCBG AU G3 0,22-0,56 (10k)	female	0,22 - 0,56	20-24	Au (0,1µm)	2,5 + 0,5	1,5	1 reel (PU) = 10000 contacts

Creator: MANA2/PDP Released: IVSE1/PDP	Document: DB44429011EN Version: 02	Page 1 of 2
---	---------------------------------------	-------------

We reserve all rights according to DIN ISO 16016.

PD 0019/05_04.18EN

44429011	DATA SHEET	
Valid from: 14.10.2020	EPIC® D-SUB SCBG / BCBG AU ROLLER CONTACTS	

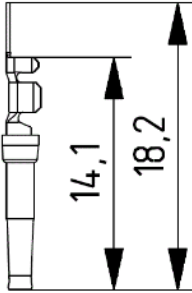
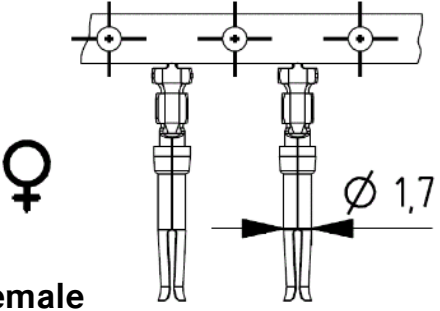
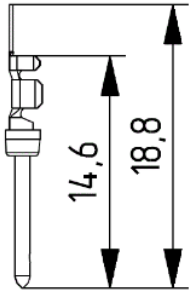
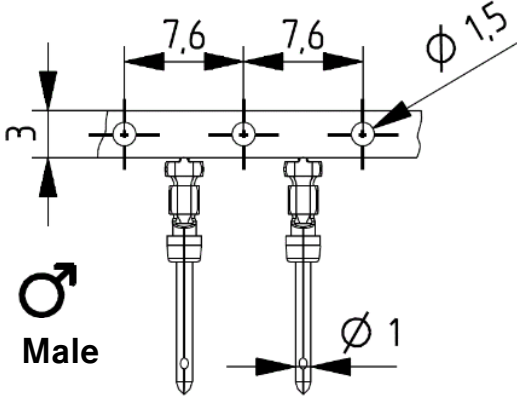
Approvals

UL-Approval, E-File-Number E75770

Standard

Safety Standard IEC 61984, UL 1977

Technical Drawings



Remark

Photographs are not to scale and do not represent detailed images of the respective products.

Creator: MANA2/PDP Released: IVSE1/PDP	Document: DB44429011EN Version: 02	Page 2 of 2
---	---------------------------------------	-------------