

44424017	<b>DATA SHEET</b>
Valid from: 15.12.2020	<b>POWER MODULE MSC-HHC 2 / MCB-HHC 2</b>

## Description

- The mixed assembly guarantees high flexibility. For applications in mechanical and plant engineering, for printing machines and slide-in technology.
- Very high current transfer
- Crimp connection for permanent vibration proof contact



## General Characteristics

Series	POWER Modul
Version	Male / Female (Article 44424018)
Termination Methods	Crimp termination: 16.0 – 35.0 mm <sup>2</sup>
Temperature Range	-40°C to +125°C

Artikel No.	Modul	VPE
44424017*	Male	10
44424018*	Female	10

## Mechanical Characteristics

Cycles of mechanical operation	500
--------------------------------	-----

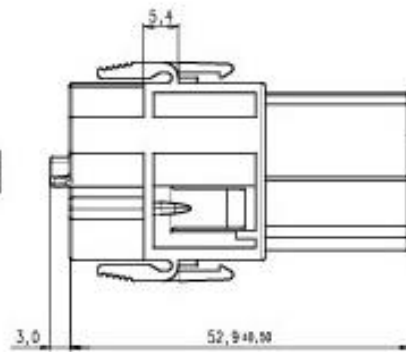
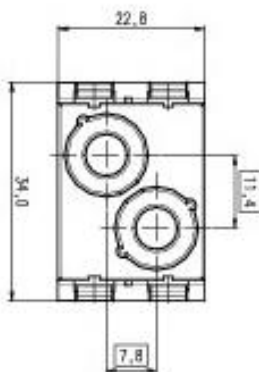
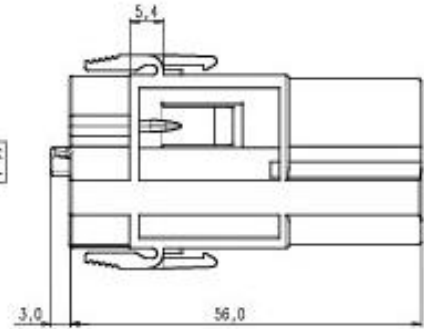
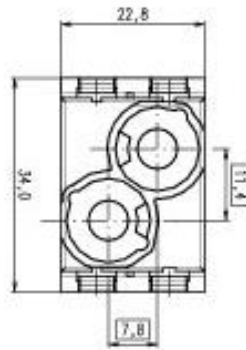
## Electrical Characteristics

Rated Voltage	1000 V
Rated Voltage, UL/CSA	600 V
Rated impulse voltage	8 kV
Rated Current	150 A
Pollution Degree	3

## Materials and Surfaces

Modul	PA6
Flammability Class according to UL 94	V0

44424017

**DATA SHEET**Valid from:  
15.12.2020**POWER MODULE MSC-HHC 2 / MCB-HHC 2****Technical Drawing**

Automation



Industrial machinery and plant engineering



Wind Energy

**Info**

High current for sufficient power reserves  
Versatile functions in one connector

**Application range**

Mechanical engineering  
Robotics industry  
Plant engineering  
Renewable energy

**Remark**

Due to reduced cross sections at PE contacts of frames, the PE contact has to be additionally protected against short circuits by using a protection circuit offering a sufficiently short breaking time (<0.25s).

Photographs are not to scale and do not represent detailed images of the respective products.

\* Trade product, no Lapp product