
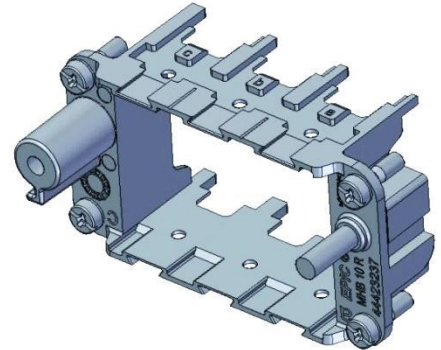


44423237	DATA SHEET	
Valid from: 30.01.2020	EPIC® MHB 10 R MULTI-FRAME	

Description

- Multi-frame for recording own and third-party modules
- EPIC® MH system is pluggable with the market standard
- The mixing of various functions in one connector ensures a high degree of flexibility
- PE Connection from 1mm² to 6mm² with wire end ferrule, 10mm² with adapter
- Use for railway applications -Brand protection in rail vehicles: test according to EN 45545-2. Requirement sentences R22 and R23. Hazard levels HL1, HL2 and HL3



General Characteristics

Product description	EPIC® MHB 10 R (a, b, c)
Series	MH Multi-frame
Version	Female
Number of Modules	3


Surfaces

Frame	Zinc die casting alloy
-------	------------------------

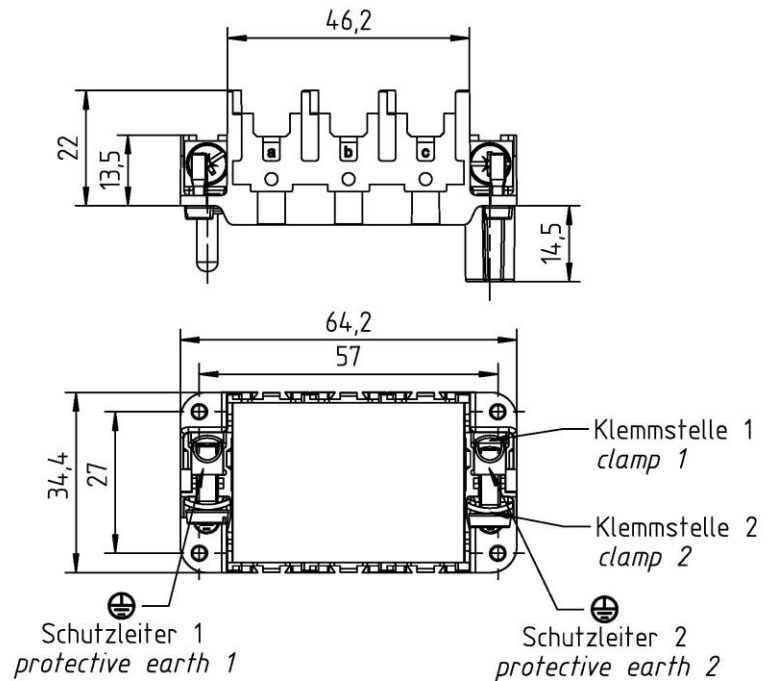
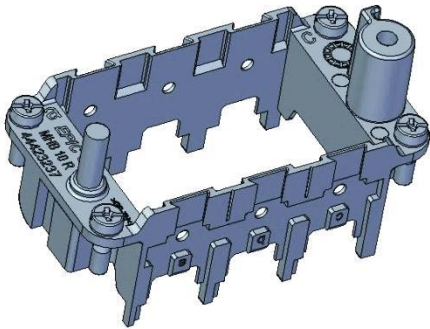
Standard

Safety Standard	IEC 61984
-----------------	-----------

Creator: ERTC1/PDP Released: IVSE1/PDP	Document: DB44423237EN Version: 02	Page 1 of 2
---	---------------------------------------	-------------

44423237	DATA SHEET	
Valid from: 30.01.2020	EPIC® MHB 10 R MULTI-FRAME	

Technical Drawing



Automation



Industrial machinery and plant engineering



Wind Energy

Info

Frame system for modules

Various functions can be used together in one connector

Product features

The MCR "male" frame version is designed for use with modules with male contacts; the "female" version is designed for use with modules with female contacts. The high design is to be used for sleeve housings

Remark

Photographs are not to scale and do not represent detailed images of the respective products.

Creator: ERTC1/PDP Released: IVSE1/PDP	Document: DB44423237EN Version: 02	Page 2 of 2
---	---------------------------------------	-------------