


44420018	<b>DATA SHEET</b>	
Valid from: 30.06.2022	<b>EPIC® SIGNAL M23 A1 D3,2</b>	

## Description

- Circular connectors for Servo Cables and encoders
- Safe fixing with 4 screws
- Permanent vibration protection



## General Characteristics

Series	SIGNAL M23
Version	Panel-mount box, front wall mounting
Protection rating	IP 68 (10 h / 1 m)
Temperature range	-25 °C to +125 °C

## Product variations

Article number	Coding	Fastening type	PU
44420018	black (N)	Ø3.2mm (4x)	5
44420017	black (N)	Ø3.2mm (4x)	20
44420020	red (+20°)	Ø3.2mm (4x)	5
44420019	red (+20°)	Ø3.2mm (4x)	20
44420016	blue (-20°)	Ø3.2mm (4x)	5
44420015	blue (-20°)	Ø3.2mm (4x)	20

## Materials and surfaces

Housing	Zinc die-casting, nickel plated
Sealing	FPM
Plastic intermediate part	PA UL94 V0
Coding Element	PBT UL94 V0


## Approvals

VDE-Approval, VDE-REG.-Nr.	C024
UL File Number	E249137

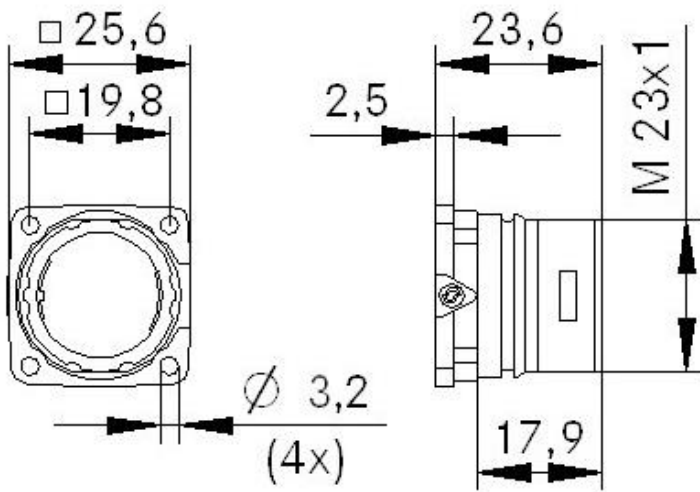
## Standard

Safety Standard	IEC 61984, UL 2238, CSA 22.2 182.3
-----------------	------------------------------------

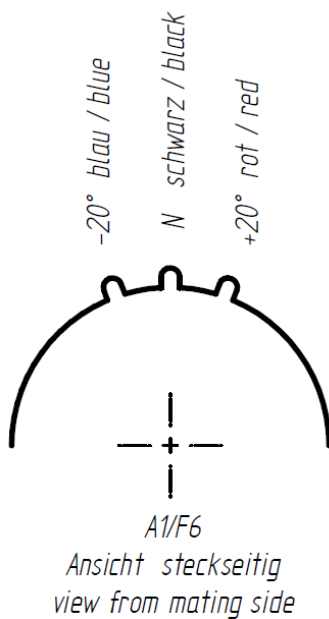
Creator: MANA2/PDP Released: IVSE1/PDP	Document: DB44420018EN Version: 04	Page 1 of 3
-------------------------------------------	---------------------------------------	-------------

44420018	<b>DATA SHEET</b>	
Valid from: 30.06.2022	EPIC® SIGNAL M23 A1 D3,2	


### Drawings



### Coding



Creator: MANA2/PDP Released: IVSE1/PDP	Document: DB44420018EN Version: 04	Page 2 of 3
-------------------------------------------	---------------------------------------	-------------

44420018	<b>DATA SHEET</b>	
Valid from: 30.06.2022	<b>EPIC® SIGNAL M23 A1 D3,2</b>	



Good chemical resistance



Industrial machinery and plant engineering



Robust



Waterproof



Wind energy



Variety of approval certifications

### Info

Colour coding for easy connecting

### Application range

Plant engineering  
 Servo drives and Servo assemblies  
 Measurement and control technology

### Remark

Photographs are not to scale and do not represent detailed images of the respective products.

Creator: MANA2/PDP Released: IVSE1/PDP	Document: DB44420018EN Version: 04	Page 3 of 3
-------------------------------------------	---------------------------------------	-------------