


19121000	DATA SHEET	
Valid from: 29.08.2022	EPIC® H-B 24 TG	

Description

- Ideal for many applications due to a wide range of housings and inserts



General Characteristics

Series	H-B 24
Version	Hood
Locking	Bolts for double lever
Cable entry	1x Straight, see table
Gland body	see table
Protection (DIN EN 60529)	IP 65 (latched)
Protection (NEMA 250, UL50E)	12 (latched)
Temperature Range	-40°C to +100°C, short term up to +125°C

Materials / Surfaces

Housing	Aluminium alloy, powder-coated, grey
Bolts	Heat-treatable steel, zinc-plated
Gland body	brass, nickel-plated

Approvals

VDE-Approval, VDE-REG.-Nr.	B437
UL-Approval, E-File-Number	E75770


Standard

Safety Standard	IEC 61984, UL 1977
-----------------	--------------------

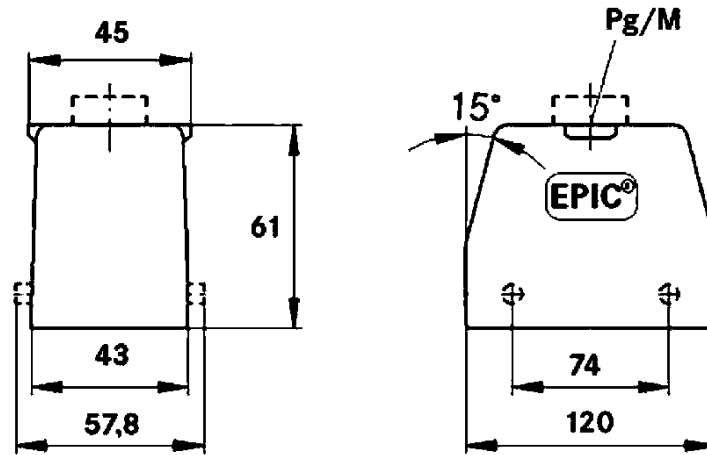
Versions

Article number	Article description	Cable entry	Gland body
10121000	EPIC® H-B 24 TG 21 ZW	Pg 21	Yes
10111000	EPIC® H-B 24 TG 29 ZW	Pg 29	Yes
19121000	EPIC® H-B 24 TG M25	M25	No
19111000	EPIC® H-B 24 TG M32	M32	No
19111500	EPIC® H-B 24 TG M40	M40	No

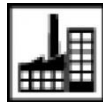
Creator: BEGE1/PDP Released: IVSE1/PDP	Document: DB19121000EN Version: 02	Page 1 of 2
---	---------------------------------------	-------------

19121000	DATA SHEET	
Valid from: 29.08.2022	EPIC® H-B 24 TG	

Technical Drawings



Automation



Industrial machinery and plant engineering



Mechanical resistance



Robust



Waterproof

Application range

Plant engineering, Light & sound technology, Plastics industry

Remark

Photographs are not to scale and do not represent detailed images of the respective products.

Creator: BEGE1/PDP Released: IVSE1/PDP	Document: DB19121000EN Version: 02	Page 2 of 2
---	---------------------------------------	-------------