
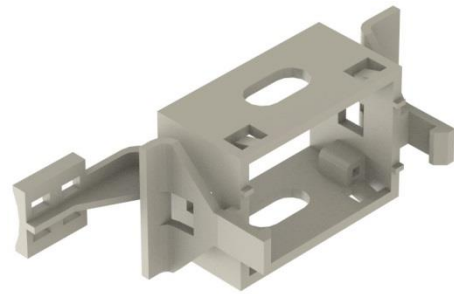


10027410	<b>DATA SHEET</b>	
Valid from: 17.09.2018	<b>EPIC® H-B 6 Q+E MOUNTING SYSTEM TOP PART</b>	

## Description

- For mounting inserts on top-hat rails according to DIN EN 60715



## General Characteristics

Configuration	Top part
Version	H-B 6
Temperature Range	-40°C to +100°C, short-term up to +125°C


## Mechanical Characteristics

Cycle of mechanical operation	max. 50
-------------------------------	---------

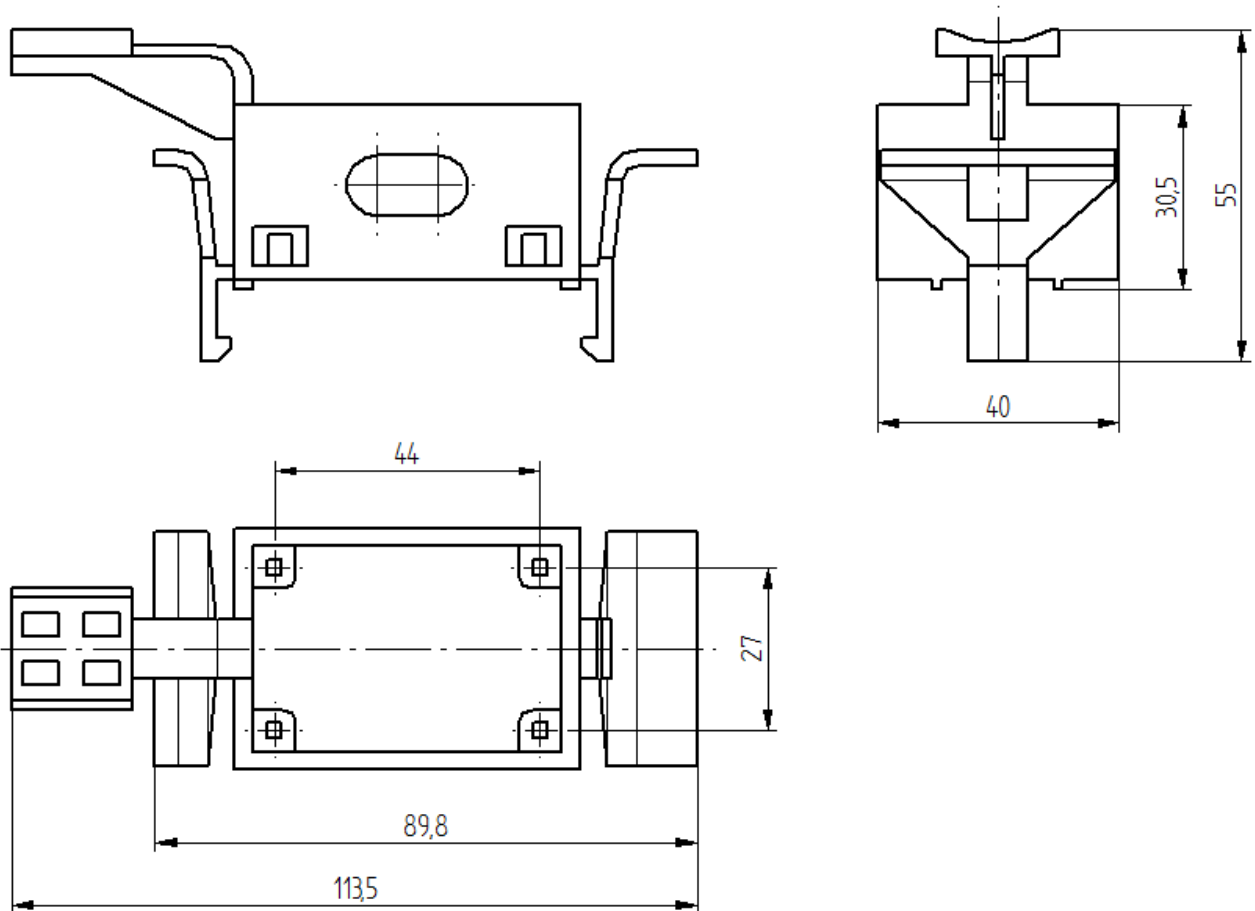
## Materials and Surfaces

Material	PC
Flammability Class according to UL 94	V0

Creator: MANA2/PDP Released: IVSE1/PDP	Document: DB10027410EN Version: 01	Page 1 of 2
---	---------------------------------------	-------------

10027410	<b>DATA SHEET</b>	
Valid from: 17.09.2018	<b>EPIC® H-B 6 Q+E MOUNTING SYSTEM TOP PART</b>	

### Drawings



### Remark

Photographs are not to scale and do not represent detailed images of the respective products.

Creator: MANA2/PDP Released: IVSE1/PDP	Document: DB10027410EN Version: 01	Page 2 of 2
---	---------------------------------------	-------------