
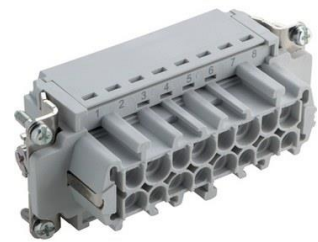


| | | |
|---------------------------|---|---|
| 44423204 | DATA SHEET |  |
| Valid from: 26.04.2021 | EPIC[®] H-BE 16 SP / H-BE 16 BP | |

Description

- Inserts of the EPIC[®] H-BE series are considered classics in the industry and are ideal for use with higher voltages and currents.
- In the EPIC[®] H-BE series, inserts of different connection types can be combined with each other as desired within the same size (screw, crimp, cage clamp or push-in).
- Push-in connection allows the shortest connection times: Wires with end sleeves can be inserted and contacted completely without tools; to release the contact, simply press the orange button. For stranded wires without ferrules, the button must be pressed to open the spring before insertion or removal.
- The round test socket for 2mm standard measuring tips is positioned in such a way that it is still accessible for a signal test even if the insert is already installed in the panel mount housing.
- Wide range of matching housing variations



General Characteristics

| | |
|--------------------|--|
| Series | H-BE 16: 1 -16; 17 - 32 |
| Version 1 - 16 | Male: 44423204; Female: 44423205 |
| Version 17 - 32 | Male: 44423208; Female: 44423209 |
| Size | 16B / 32B (Version 17 - 32) |
| Conductor | conductor stiff or flexible with cable end-sleeves |
| Number of Contacts | 16 + PE; (32+2xPE) |
| Connection | Push-In: 0,14-2,5 mm ² |
| Temperature Range | -40°C to +100°C, short-term up to +125°C |

Mechanical Characteristics

| | |
|-------------------------------|-----|
| Cycle of mechanical operation | 500 |
|-------------------------------|-----|

Electrical Characteristics

| | |
|-------------------------|----------|
| Rated Voltage, IEC | 500 V |
| Rated Voltage, UL & CSA | 600 V |
| Rated Impulse Voltage | 6 kV |
| Rated Current, IEC | 16 A |
| Rated Current, UL & CSA | 13 A |
| Contact Resistance | < 3 mOhm |
| Degree of Soiling | 3 |

Materials and Surfaces

| | |
|---------------------------------------|----------------------------------|
| Contacts | Copper alloy, hard silver-plated |
| Insulating Body | PA |
| Flammability Class according to UL 94 | V0 |


Approvals

| | |
|----------------|--------|
| UL-File Number | E75770 |
|----------------|--------|

Standard

| | |
|-----------------|-----------------------------------|
| Safety Standard | IEC 61984, UL1977, CSA 22.2 182.3 |
|-----------------|-----------------------------------|

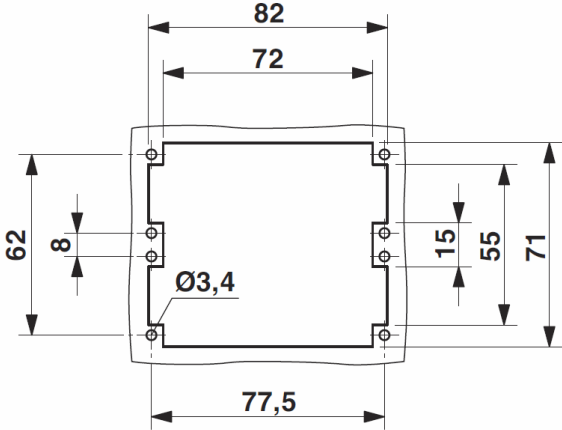
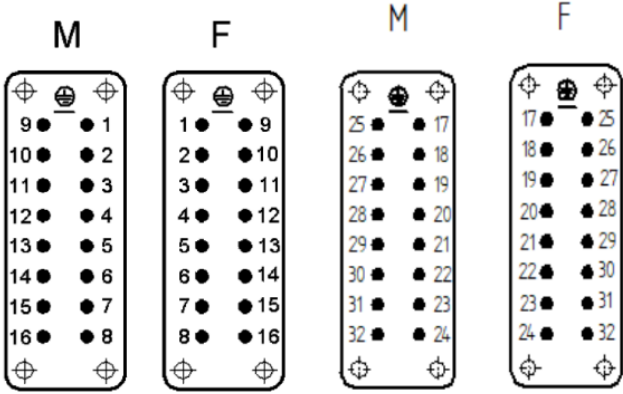
| | | |
|---|---------------------------------------|-------------|
| Creator: STKU3/PDP Released: IVSE1/PDP | Document: DB44423204EN Version: 00 | Page 1 of 3 |
|---|---------------------------------------|-------------|

| | | |
|---------------------------|---|---|
| 44423204 | DATA SHEET |  |
| Valid from: 26.04.2021 | EPIC [®] H-BE 16 SP / H-BE 16 BP | |

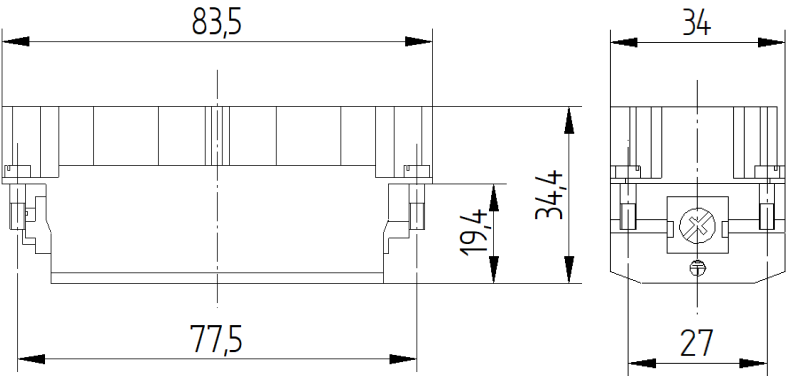
Technical Drawings

Pin-arrangement:

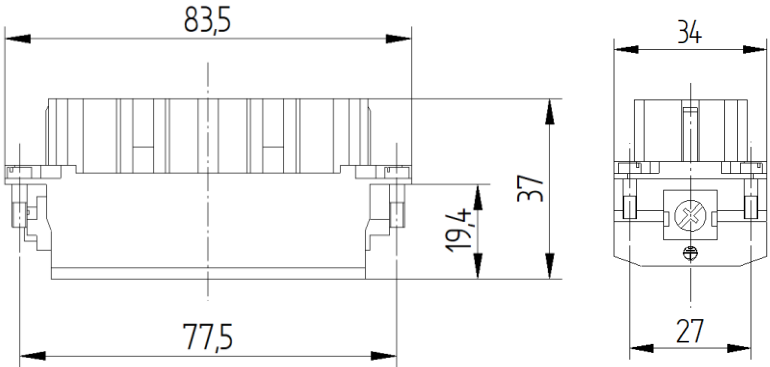
Mounting cutout when used without housing:




Male part, dimensions



Female part, dimensions



| | | |
|---------------------------|--------------------------------------|---|
| 44423204 | DATA SHEET |  |
| Valid from: 26.04.2021 | EPIC® H-BE 16 SP / H-BE 16 BP | |



Robust



Temperature resistant

Info

Multifunctional insert for versatile applications
Screw, crimp, cage clamp and Push-In version - freely combinable

Application range

Mechanical engineering
Light & sound technology
Plastics industry

Remark

Photographs are not to scale and do not represent detailed images of the respective products.



| | | |
|---|---------------------------------------|-------------|
| Creator: STKU3/PDP Released: IVSE1/PDP | Document: DB44423204EN Version: 00 | Page 3 of 3 |
|---|---------------------------------------|-------------|