

19633800	DATA SHEET	
Valid from: 29.08.2022	EPIC® H-A 48 SG	

Description

- The large, robust housing for three inserts of size 16.



General Characteristics

Series	H-A 48
Version	Surface-mount base
Locking	Double lever
Cable entry	Lateral, see table
Gland body	See table
Protection (DIN EN 60529)	IP 65 (latched)
Temperature Range	-40°C to +100°C, short term up to +125°C

Materials / Surfaces

Housing	Aluminium alloy, powder-coated, grey
Locking	Steel, zinc-plated
Gland body	Brass, nickel plated
Sealing	NBR

Standard

Safety Standard	IEC 61984
-----------------	-----------

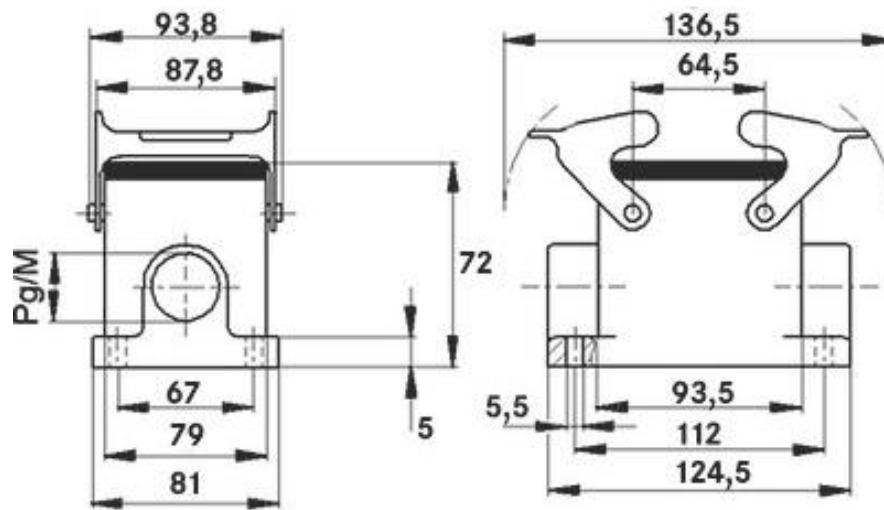
Versions

Article number	Article description	Cable entry (right)	Cable entry (left)	Gland body
10633800	EPIC® H-A 48 SGR 29 ZW	Pg 29	-	Yes
19633800	EPIC® H-A 48 SGR M32 ZW	M32	-	Yes
19638600	EPIC® H-A 48 SGR M40	M40	-	No
19639600	EPIC® H-A 48 SGRL M40	M40	M40	No

Creator: BEGE1/PDP Released: IVSE1/PDP	Document: DB 19633800EN Version: 00	Page 1 of 2
-------------------------------------------	----------------------------------------	-------------

19633800	DATA SHEET	
Valid from: 29.08.2022	EPIC® H-A 48 SG	

Technical Drawings



Industrial machinery and plant engineering



Mechanical resistance



Robust



Waterproof

Application range

Machine and equipment manufacturing, Control engineering

Remark

Photographs are not to scale and do not represent detailed images of the respective products.

Creator: BEGE1/PDP Released: IVSE1/PDP	Document: DB 19633800EN Version: 00	Page 2 of 2
-------------------------------------------	----------------------------------------	-------------