


19139500	DATA SHEET	
Valid from: 29.08.2022	EPIC® H-B 32 TBF	

Description

- The large, robust housing for two inserts of size 16



General Characteristics

Series	H-B 32
Version	Coupler hood
Locking	Double lever
Cable entry	1x straight, see table
Gland body	See table
Protection (DIN EN 60529)	IP 65 (latched)
Temperature Range	-40°C to +100°C, short term up to +125°C

Materials / Surfaces

Housing	Aluminium alloy, powder-coated, grey
Locking	Steel, zinc-plated
Gland body	Brass, nickel-plated
Sealing	NBR


Standard

Safety Standard	IEC 61984
-----------------	-----------

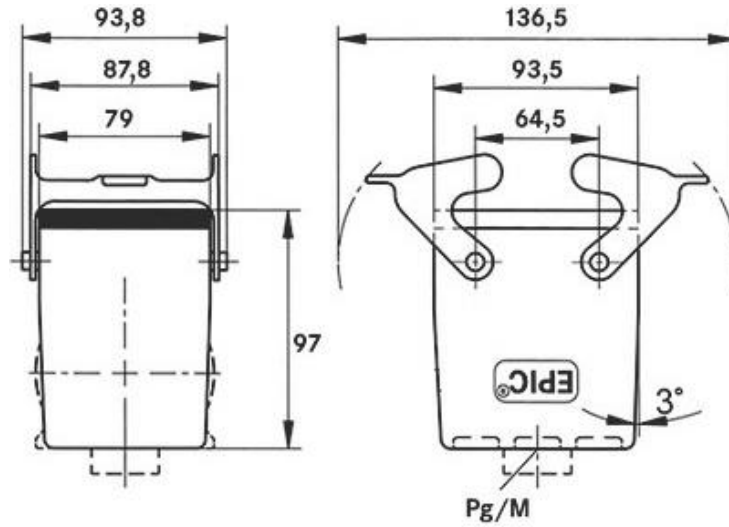
Versions

Article number	Article description	Cable entry	Gland body
10139500	EPIC® H-B 32 TBF 29 ZW	Pg 29	Yes
19139500	EPIC® H-B 32 TBF M32	M32	No

Creator: BEGE1/PDP Released: IVSE1/PDP	Document: DB19139500EN Version: 00	Page 1 of 2
---	---------------------------------------	-------------

19139500	DATA SHEET	
Valid from: 29.08.2022	EPIC® H-B 32 TBF	

Technical Drawings



Industrial machinery and plant engineering



Mechanical resistance



Robust



Waterproof

Application range

Plant engineering, Control engineering, Plastics industry

Remark

Photographs are not to scale and do not represent detailed images of the respective products.

Creator: BEGE1/PDP Released: IVSE1/PDP	Document: DB19139500EN Version: 00	Page 2 of 2
---	---------------------------------------	-------------