


44423150	DATA SHEET	
Valid from: 29.04.2022	EPIC® POWER M12L G4	

Description

- Flushtype connector for servomotors and power supply
- High power at smallest installation space
- Optimal solution for electric motors
- EMC-optimised design
- Safety use in field environment by high protection class



General Characteristics

Series	POWER M12L
Version	Flushtype connector M12L-code male
Pin configuration	4+FE
Rated voltage (V)	63 V
Rated current (A)	16A/4+FE (2.5mm ²)
Termination method	Crimp termination: 0.75mm ² to 1.5mm ² / 2.5 mm ²
Wire insulation-Ø (max.)	Ø 3 mm
Protection degree (plugged and locked)	IP 65 / 67 / 69
Mating cycles	100
Ambient temperature	acc. standard: -25°C to +85°C (-13°F to 185°F) environment: -25°C to +125°C (-13°F to 257°F)
Degree of soiling	3

Product Variation

Article-number	Article description	Amount of contacts	PU
44423150	EPIC POWER M12L G4 4P 1,5 (1)	4 x 1.5 mm ²	1
44423156	EPIC POWER M12L G4 4+FE 1,5 (1)	5 x 1.5 mm ²	1
44423416	EPIC POWER M12L G4 4P (20)	none*	20
44423420	EPIC POWER M12L G4 4+FE (20)	none*	20

* contacts has to be ordered separately

Material/surfaces

Housing	Brass, Ni-plated
Contacts	Brass, Au-plated
Inserts	PA
Seal	FKM

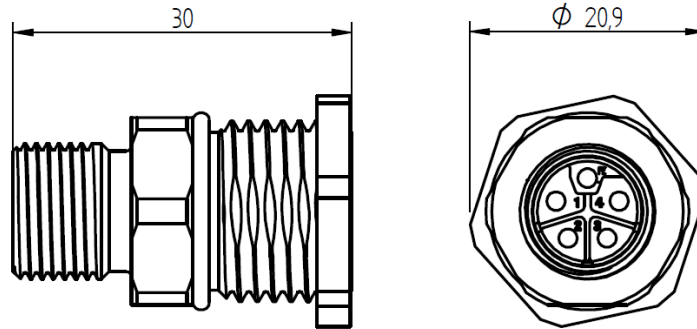
Standard

Product standard	DIN EN IEC 61076-2-111:2018-10
------------------	--------------------------------

Creator: FELI1/PDP Released: IVSE1/PDP	Document: DB44423150EN Version: 00	Page 1 of 2
---	---------------------------------------	-------------

44423150	DATA SHEET	
Valid from: 29.04.2022	EPIC® POWER M12L G4	

Technical drawing



Corrosion-resistant



Industrial machinery and plant engineering



Mechanical resistance



Assembly time



Space requirement



Robust



Waterproof

Application range

Plant engineering, servo drives and servo assemblies

Remark

Photographs are not to scale and do not represent detailed images of the respective products.

Creator: FELI1/PDP Released: IVSE1/PDP	Document: DB44423150EN Version: 00	Page 2 of 2
---	---------------------------------------	-------------