


29500764	DATA SHEET	
Valid from: 31.08.2021	EPIC® DATA TS GOF SC-RJ (F*)	

Description

- LWL-DIN adapter with ready-made coupling
- Available with SC-RJ-coupling
- Space-saving design for DIN rail TH35
- Designed for industrial environment (protection class IP20)



General characteristics

Interfaces	Housing front: Mounted couplings SC-RJ
	Housing rear: DIN rail TH35
Coupling type	SC-RJ
Temperature range (environmental)	-10°C to +60°C (+14°F to +140°F)
Degree of protection	IP 20

Variation

Article	Description	Usable fibre type (F*)	Coupling color
29500764	EPIC DATA TS GOF SC-RJ MM	MM	Beige
29500765	EPIC DATA TS GOF SC-RJ SM	SM	Green

Optical properties

Insertion loss (coupling)	max. 0.2 dB
---------------------------	-------------

Mechanical properties

Housing

Color	RAL 7035
Mounting	DIN rail (TH35)
Housing, material	PC
Spring element, material	Bronze, tin-plated


Couplings

Slotted sleeve	Ceramic
Mechanical life span	≥ 500

Standards

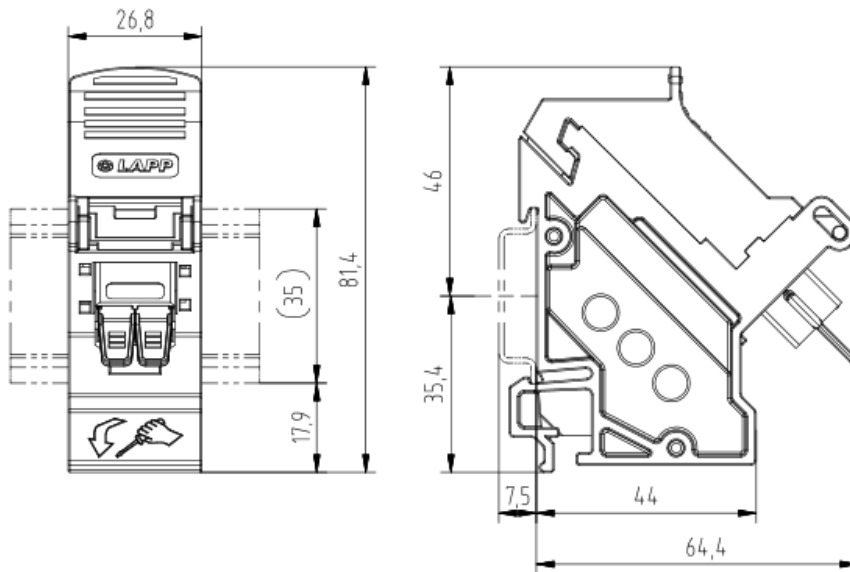
Product standard, LWL-connector type SC-RJ	IEC 61754-24
Dimensions of low-voltage switchgear and controlgear	DIN 60715
Standardized mounting rails for the mechanical fastening of electrical devices in switchgear systems	

Creator: FELI1/PDP Released: IVSE1/PDP	Document: DB29500764EN Version: 00	Page 1 of 2
---	---------------------------------------	-------------

29500764	DATA SHEET	
Valid from: 31.08.2021	EPIC® DATA TS GOF SC-RJ (F*)	

Technical drawing

Dimensional drawing



EPIC DATA TF GOF SC-RJ

Application range

Automation, industrial machinery and plant engineering

Note

Photographs are not to scale and do not represent detailed images of the respective products.

Creator: FELI1/PDP Released: IVSE1/PDP	Document: DB29500764EN Version: 00	Page 2 of 2
---	---------------------------------------	-------------