

5210 4730	DATA SHEET	
Valid from: 29.08.2019	SKINDICHT® TWIST-M	

The SKINDICHT® TWIST-M is a 360° swivel coupler, which is made of nickel plated brass, for using with metric SILVYN® conduit glands.
The coupler is suitable for the positioning of elbowed fitting and the prevention of damage by torsional motion on rigid protection conduit systems.



Material:

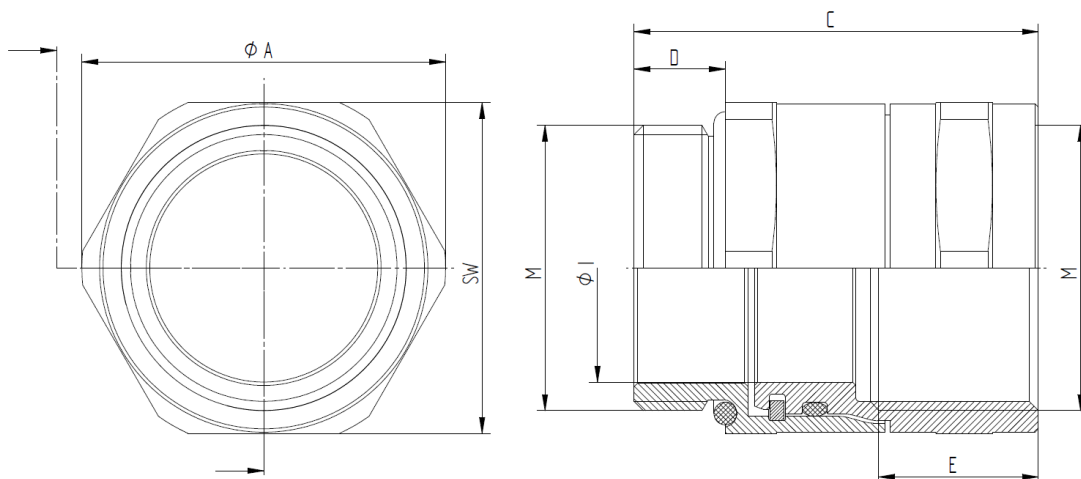
Body	Brass, nickel plated
Snap ring	Spring steel
Sealing	FKM

Technical Features:

Connecting thread	M12x1,5 up to M32x1,5 acc. to DIN 60423
Protection class coupler	IP66 acc. to EN 60529 IP68 – 5bar / 30min acc. to EN 60529 Depending on the used SILVYN® protection conduit system
Temperature range	-20°C up to +200°C

Notes:

The coupler is no substitution for ball- or roller bearings!



Dimension table:

Part No.	Thread M	Wrench size SW	Thread length mm		Diameter mm		Length mm C
			D	E	Ø A	Ø I	
5210 4730	M12 x 1,5	16	6,5	12,5	17,6	8,0	29,0
5210 4731	M16 x 1,5	20	7,0	13,0	22,0	11,0	30,5
5210 4732	M20 x 1,5	24	8,0	14,5	26,4	14,5	34,5
5210 4733	M25 x 1,5	29	8,0	14,5	31,9	20,0	35,5
5210 4734	M32 x 1,5	36	9,0	16,0	39,6	25,0	39,0

For more information please see our current catalogue. Please do not hesitate to contact our laboratory if there are any questions regarding resistance against aggressive agents and special oil.

Creator: MAAU1/PDP Released: DAMU1/PDP	Document: DB52104730EN Version: 02	Page 1 of 1
---	---------------------------------------	-------------