


24441294	DATA SHEET	
Valid from: 18.09.2020	EPIC® POWER LS1 KIT D6 3+PE+4 TWIST	

Description

- Circular connectors for servomotors and power supply
- High power at smallest installation space
- Optimal solution for electric motors
- EMC-optimised design
- Safety use in field environment by high protection class



General Characteristics

Series	POWER LS 1
Version	Cable connector for female contacts
Pin configuration	3+PE+4
Rated voltage (V)	630 V (2mm Contacts) 250 V (1mm Contacts)
Rated impulse voltage	6 kV (2mm Contacts) 4 kV (1mm Contacts)
Rated current (A)	26 A (2mm Contacts) 7 A (1mm Contacts)
Contact resistance	< 4 mOhm
Number of contacts	3+PE+4
Termination methods	Crimp termination: 0.5 – 2,5 mm ² (2 mm contacts) Crimp termination: 0.14 - 1.0 mm ² (1 mm contacts)
Protection	IP 67 (latched)
Cycle of mechanical operation	500
Temperature range	-25°C to +125°C
Degree of soiling	3
Cable clamping range	7,5 mm - 15,5 mm

Materials and Surfaces

Housing	Nickel-plated zinc die-casting, nickel-plated brass
Insert	PA
Seal	FPM
Contact	Brass
Contact surface	AU

Approvals


UL E-File Number	E249137
------------------	---------

Standard

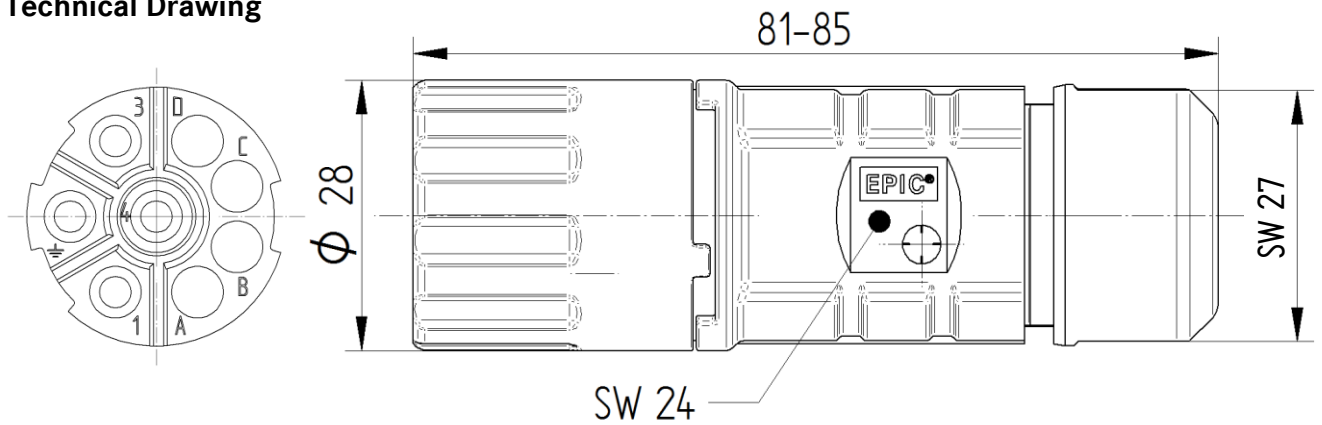
Safety Standard	IEC 61984, UL 2238, CSA 22.2 182.3
-----------------	------------------------------------



Creator: STKU3/PDP Released: IVSE1/PDP	Document: DB24441294EN Version: 02	Page 1 of 3
---	---------------------------------------	-------------

24441294	DATA SHEET	
Valid from: 18.09.2020	EPIC® POWER LS1 KIT D6 3+PE+4 TWIST	

Technical Drawing



Good chemical resistance



Corrosion-resistant



Industrial machinery and plant engineering



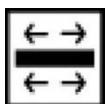
Maximum vibration protection



Mechanical resistance



Assembly time



Optimum strain relief




Space requirement



Robust

Creator: STKU3/PDP Released: IVSE1/PDP	Document: DB24441294EN Version: 02	Page 2 of 3
---	---------------------------------------	-------------

24441294	DATA SHEET	
Valid from: 18.09.2020	EPIC® POWER LS1 KIT D6 3+PE+4 TWIST	



Waterproof



Wind Energy

Application range

Plant engineering
Servo drives and servo assemblies

Remark

Photographs are not to scale and do not represent detailed images of the respective products.

Creator: STKU3/PDP Released: IVSE1/PDP	Document: DB24441294EN Version: 02	Page 3 of 3
---	---------------------------------------	-------------