


| | | |
|---------------------------|------------------------|---|
| 10426500 | DATA SHEET |  |
| Valid from: 24.08.2021 | EPIC® H-A 3 MTG | |

Description

- Innovative metal housing
- For safe connections in the smallest possible space

General characteristics

| | |
|-------------------------------------|---|
| Series | H-A 3 |
| Version | Hood |
| Locking mechanism | Bolts for single lever |
| Cable entry | Straight |
| Cable gland | See table |
| Clamping range | See table |
| Protection rating (DIN EN 60529) | IP 66 (latched) IP 68 - 1 meter / 10 hours (latched) |
| Protection rating (NEMA 250, UL50E) | 4, 12 (latched) |
| Temperature range | -40 °C to +100 °C, short-term up to +125 °C |



Materials and surfaces

| | |
|------------------------|-----------------------|
| Housing, base material | Zinc die-casting |
| Housing, surface | Powder-coating, grey |
| Pressure screw | Brass, nickel-plated |
| Pressure washer | Steel, zinc-plated |
| Sealing ring | NBR (Pg 11), CR (M20) |

Standard

| | |
|-----------------|-----------|
| Safety Standard | IEC 61984 |
|-----------------|-----------|


Approvals

cURus and VDE in preparation.

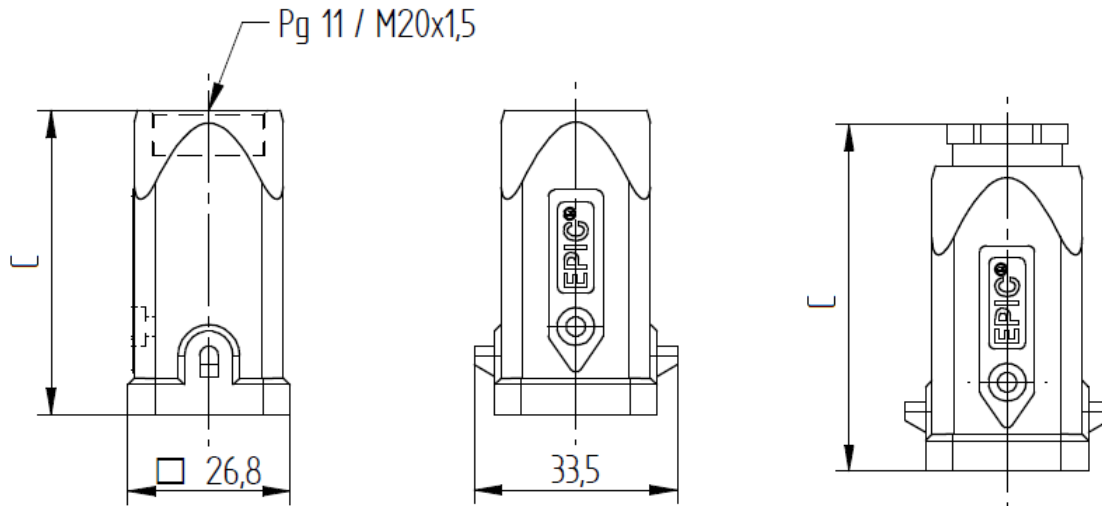
Versions

| Article number | Article description | Thread | Cable gland | Clamping range | Dimension C |
|----------------|---------------------------------|--------|-------------|----------------|-------------|
| 10512100 | EPIC® H-A 3 MTG 11 N.GEW. HOOD | Pg 11 | No | - | 50,2 |
| 10426500 | EPIC® H-A 3 MTG 11 KPL. HOOD | Pg 11 | Yes | 6,5 - 12 mm | 57 |
| 19512100 | EPIC® H-A 3 MTG M20 N.GEW. HOOD | M20 | No | - | 50,2 |
| 19426500 | EPIC® H-A 3 MTG M20 KPL. HOOD | M20 | Yes | 3 - 13,5 mm | 58 |

| | | |
|---|---------------------------------------|-------------|
| Creator: TODV1/PDP Released: VACH1/PDP | Document: DB10426500EN Version: 02 | Page 1 of 2 |
|---|---------------------------------------|-------------|

| | | |
|---------------------------|------------------------|---|
| 10426500 | DATA SHEET |  |
| Valid from: 24.08.2021 | EPIC® H-A 3 MTG | |

Technical Drawings



Industrial machinery and plant engineering



Mechanical resistance



Robust



Waterproof

Info

Compact, robust metal housings size H-A 3

Application range

Machine and equipment manufacturing
Control engineering
Electronic laboratory

Remark

Photographs are not to scale and do not represent detailed images of the respective products.

| | | |
|---|---------------------------------------|-------------|
| Creator: TODV1/PDP Released: VACH1/PDP | Document: DB10426500EN Version: 02 | Page 2 of 2 |
|---|---------------------------------------|-------------|