


1038 1400	DATA SHEET	
Valid from: 17.09.2018	EPIC[®] MCR 16 M / MCR 16 F	

Description

- The mixed assembly guarantees high flexibility. For applications in mechanical and plant engineering, for printing machines and slide-in technology.
- Assembly of individual connectors, suitable for different applications



General Characteristics

Series	MCR Frame
Version	Male / Female (Article 10381500)
Number of Modules	5

Materials and Surfaces

Frame	PA
Flammability Class according to UL 94	V0


Approvals

UL-Approval, E-File-Number	E75770
VDE-Approval, VDE-REG.-Nr.	B437

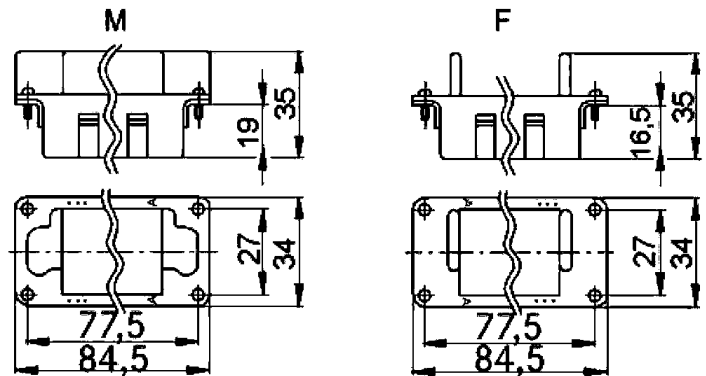
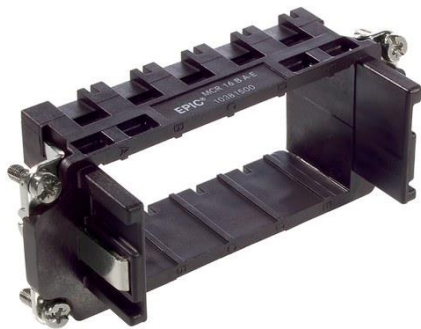
Standard

Safety Standard	IEC 61984, UL 1977
-----------------	--------------------

Creator: MANA2/PDP Released: IVSE1/PDP	Document: DB10381400EN Version: 01	Page 1 of 2
---	---------------------------------------	-------------

1038 1400	DATA SHEET	
Valid from: 17.09.2018	EPIC [®] MCR 16 M / MCR 16 F	

Technical Drawing



Automation



Industrial machinery and plant engineering



Wind Energy

Info

Frame system for modules
Various functions can be used together in one connector

Product features

The MCR "male" frame version is designed for use with modules with male contacts; the "female" version is designed for use with modules with female contacts

Remark

Photographs are not to scale and do not represent detailed images of the respective products.

Creator: MANA2/PDP Released: IVSE1/PDP	Document: DB10381400EN Version: 01	Page 2 of 2
---	---------------------------------------	-------------